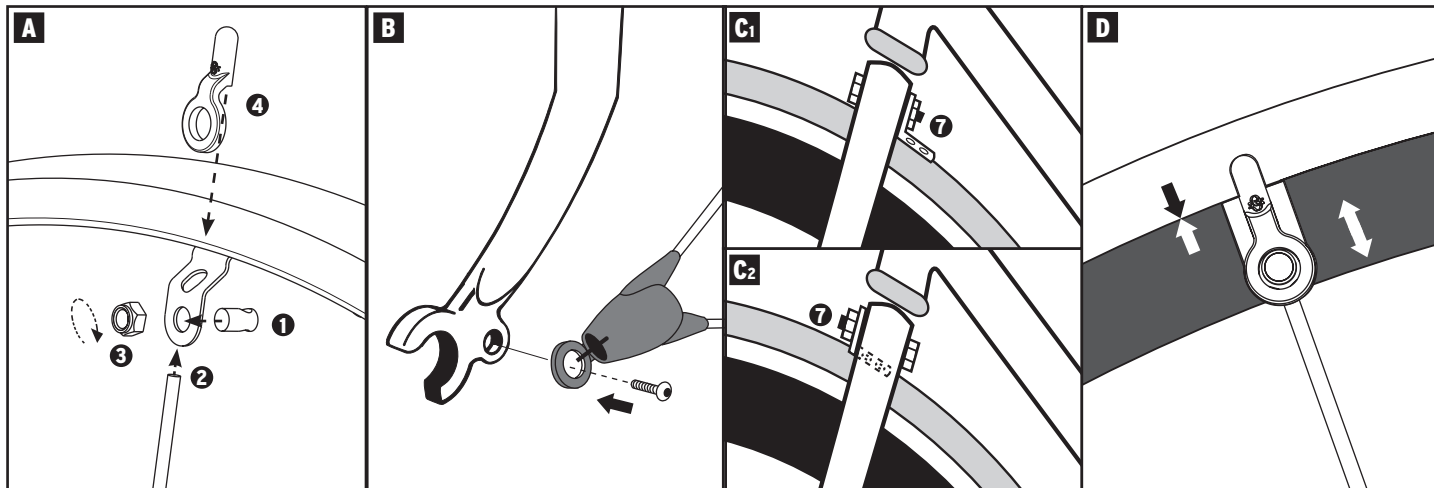


MOUNTING FRONT MUDGUARD



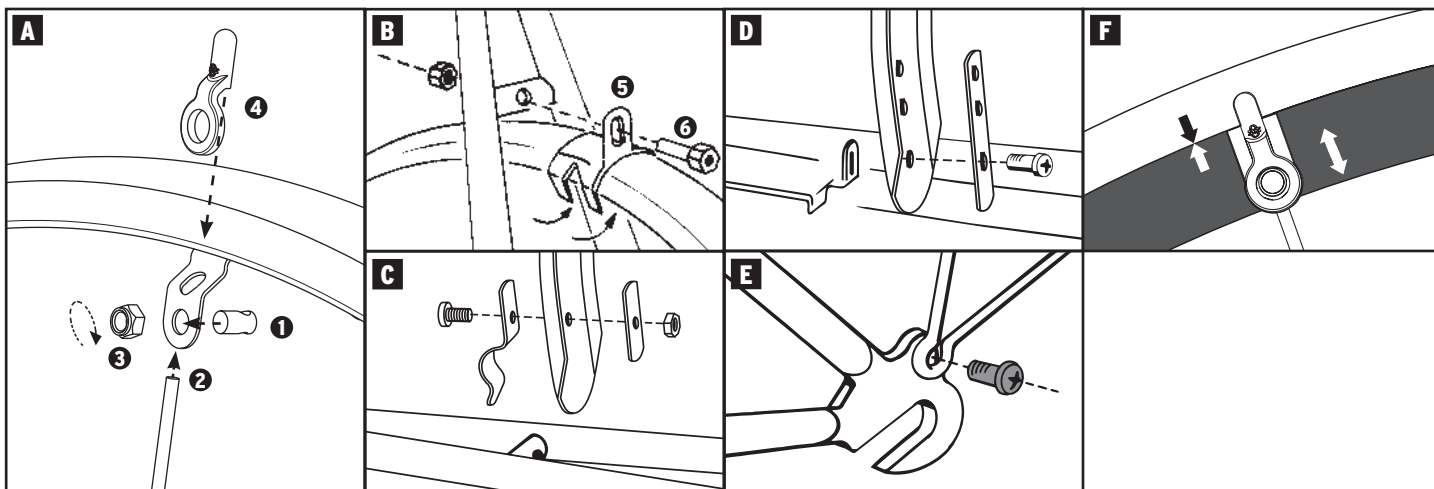
MOUNTING

Open the polybag containing the fittings and check all parts are complete. To simplify the procedure prepare the stays first.

MOUNTING THE FRONT MUDGUARD

Before mounting the endcap, guide the stays through the bridge and eyebolt. The eyebolt nuts should only be tightened slightly. Now set the optimal alignment of the wheel guard to the tire. Mark the appropriate length and cut the stays with a hacksaw. Pass the stay ② through hole in bolt ① and tighten with nut ③. After that push the endcap ④ on the stay and over the tightened nut. (pic. A). The prepared front mudguard (profile & ASR-stay) should be fixed slightly with the enclosed screws to the fork lug eyes. (pic. B). Bolt the front mudguard shackle with the enclosed screw to the brake bolt (pic. D). Make all the final adjustments for a perfect fit (pic. E). Secure in place by tightening the nuts ④ with 2 Nm on the bolts ②. The protruding stay can either be cut off or fitted with an endcap. The enclosed spacers allow the assembling at forks with disc brakes, if they are on the line with the stay (Abb. E1 + E2). A maximum of 4 spacers are used at once.

MONTAGE HINTERRADSCHÜTZER



MOUNTING THE REAR MUDGUARD

Before mounting the endcap ④, guide the stays through the bridge and eyebolt. The eyebolt should only be tightened slightly. Now set the optimal alignment of the wheel guard to the tire. Mark the appropriate length and cut the stays with a hacksaw.

Pass the stay ② through hole in bolt ① and tighten with nut ③. After that push the endcap ④ on the stay and over the tightened nut. (pic. A).

Fix sliding bridge ⑤ with the enclosed screw ⑥ to the seatstay plate or bridge. Fit the rear mudguard ensuring the slot for fixing to the chainstay is to the front. Push on the sliding bridge and fasten it. (pic. B).

Depending on the type of chainstay plate or bridge there are two methods of fixation:

- fix directly through the hole with plate/washer, screw and nut (pic. C).

- pre-assemble the clip with plate/washer, screw and nut (pic. D).

Place the pre-assembled mudguard on the rear wheel and fix it first to the chain stay plate, then to the seat stay bridge and finally the V-stays to the frame lug eyes (pic. E).

Make all the final adjustments for a perfect fit (pic. F).