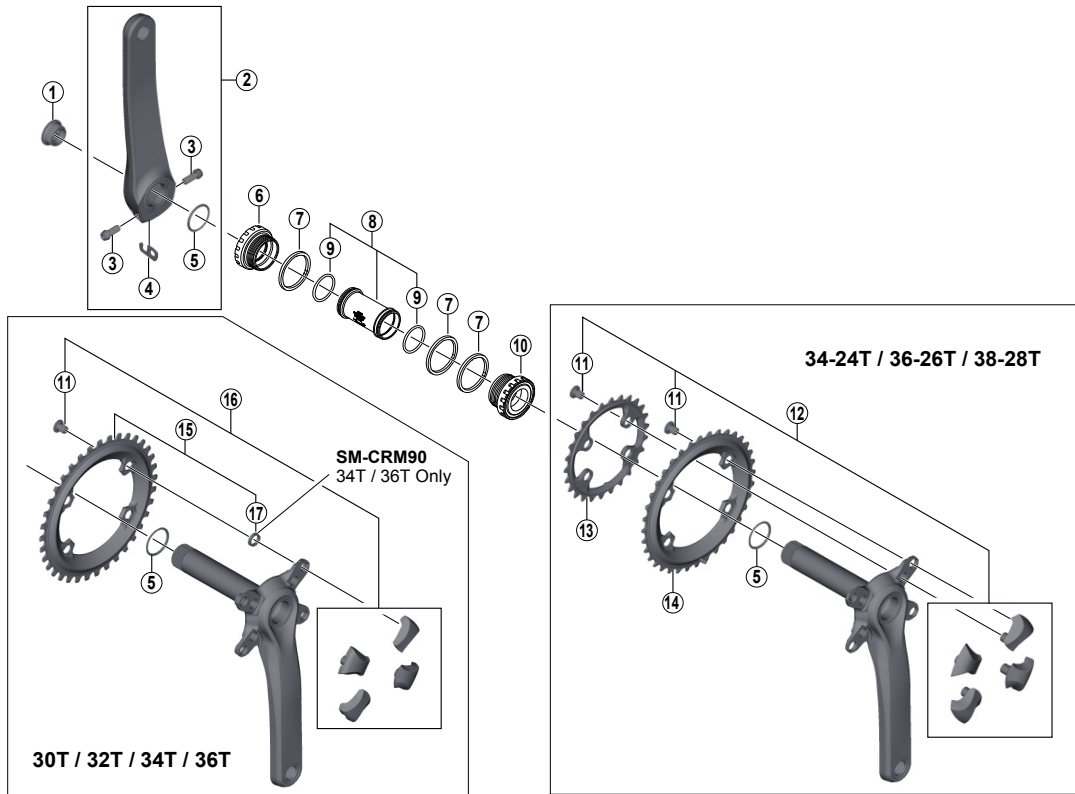


XTR Crankset FC-M9000 SM-BB93 SM-CRM90/CRM91



- Chaining teeth combinations: 38-28T / 36-26T / 34-24T / 36T / 34T / 32T / 30T
- Bolt circle diameter: 96 mm...(For outer gear and middle gear), 64 mm...(For inner gear)

SM-BB90A

ITEM NO.	SHIMANO CODE NO.	DESCRIPTION	INTERCHANGEABILITY
1	Y1LR13000	Crank Arm Fixing Bolt	
2	Y1PV98010	Left Hand Crank Arm 170 mm	
	Y1PV98020	Left Hand Crank Arm 175 mm	
3	Y1E512100	Clamp Bolt (M6 x 15)	
4	Y1N298100	Plate	
5	Y1F316000	Ring	
6	Y1P898010	Left Hand Adapter (B.C.1.37" x 24T) English Thread	B
7	Y1P804000	Spacer (2.5 mm)	
8	Y1LR98090	Inner Cover & O-Ring	A
9	Y1TF21000	O-Ring	A
10	Y1P898020	Right Hand Adapter (B.C.1.37" x 24T) English Thread	B
11	Y1PV98102	Gear Fixing Bolt (M7x8.5 / 4pcs.)	
12	Y1PV98201	Chaining Fixing Parts & Fixing Bolt (8pcs.) Set for Double 38-28T / 36-26T / 34-24T	
13	Y1PV24000	Chaining 24T-AS for 34-24T	
	Y1PV26000	Chaining 26T-AT for 36-26T	
	Y1PV28000	Chaining 28T-AW for 38-28T	
14	Y1PV98040	Chaining 34T-AS for 34-24T	
	Y1PV98050	Chaining 36T-AT for 36-26T	
	Y1PV98060	Chaining 38T-AW for 38-28T	
15	ISMCRM90A0	Chaining 30T (SM-CRM90)	
	ISMCRM90A2	Chaining 32T (SM-CRM90)	
	ISMCRM90A4	Chaining 34T (SM-CRM90) w/Gear Spacer	
	ISMCRM90A6	Chaining 36T (SM-CRM90) w/Gear Spacer	
	ISMCRM91A0	Chaining 30T (SM-CRM91)	
	ISMCRM91A2	Chaining 32T (SM-CRM91)	
16	ISMCRM91A4	Chaining 34T (SM-CRM91)	
	ISMCRM91A6	Chaining 36T (SM-CRM91)	
16	Y1PV98101	Chaining Fixing Parts & Fixing Bolt (4pcs.) Set for Single 36T / 34T / 32T / 30T	
17	Y1PV98030	Gear Spacer (4pcs.) for SM-CRM90 34T / 36T Only	

A: Same parts.

B: Parts are usable, but differ in materials, appearance, finish, size, etc.

Absence of mark indicates non-interchangeability.

Specifications are subject to change without notice.

Apr. -2016-3775A

© Shimano Inc. I

SHIMANO