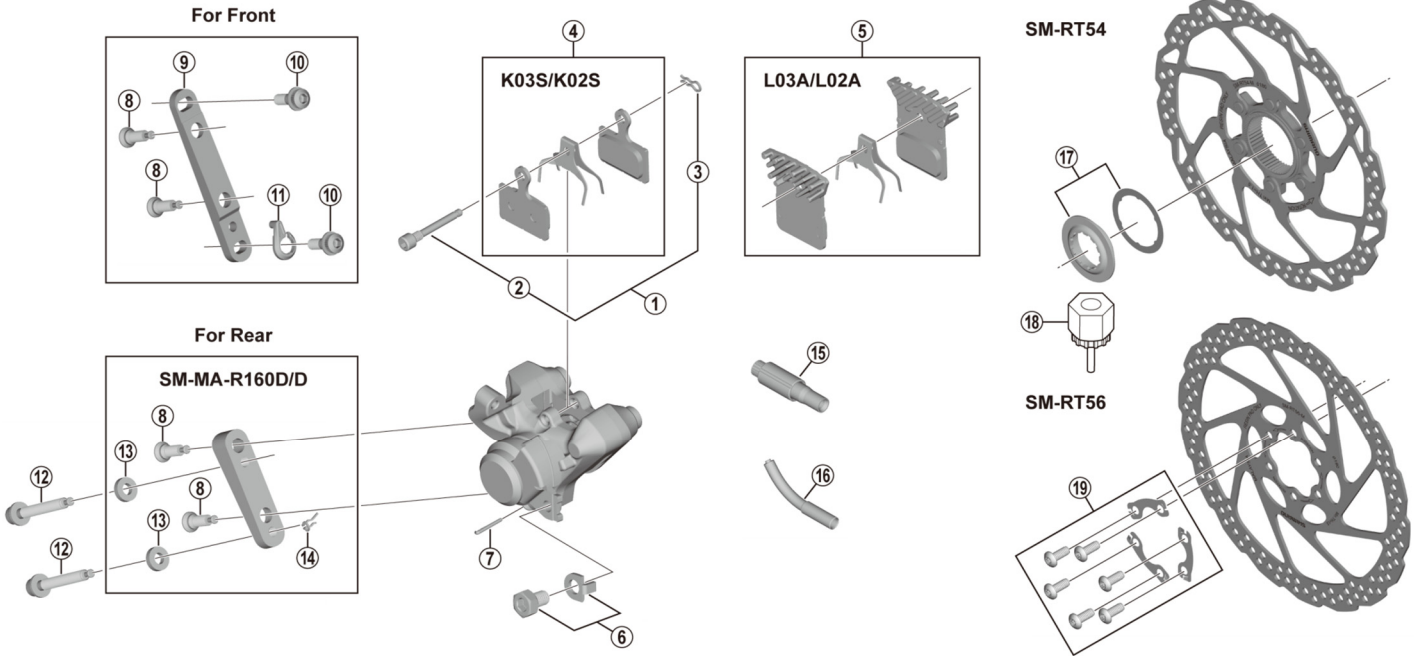


Disc Brake  
**BR-RS305** Brake Caliper

**SM-RT54** Disc Rotor/Center Lock  
**SM-RT56** Disc Rotor/6-Bolt



BR-RS305

ITEM NO.	SHIMANO CODE NO.	DESCRIPTION	INTERCHANGEABILITY	
1	Y8KZ98020	Pad Axle & Snap Retainer		
2	Y8EB12000	Pad Axle		
3	Y8B212000	Snap Retainer	B	
* 4	Y8Y898010	Resin Pad (K03S) & Spring		
	Y8N398010	Resin Pad (K02S) & Spring	A	
* 5	Y8PU98040	Resin Pad (L03A) w/Fin & Spring		
	Y8N398030	Resin Pad (L02A) w/Fin & Spring	A	
6	Y8JW98020	Cable Fixing Bolt (M6 x 9) & Plate		
7	Y8N207000	Bolt Fixing Pin		
8	Y8N206000	Caliper Fixing Bolt B	A	
9	Y8N230000	Front Caliper Mount Bracket	A	
10	Y8N204000	Caliper Fixing Bolt A	A	
11	Y8N205000	Snap Ring	A	
12	Y8N208000	Caliper Fixing Bolt C (10 mm)	A	
	Y8N208050	Caliper Fixing Bolt C (15 mm)	A	
	Y8N208010	Caliper Fixing Bolt C (20 mm)	A	
	Y8N208020	Caliper Fixing Bolt C (25 mm)	A	
	Y8N208030	Caliper Fixing Bolt C (30 mm)	A	
	Y8N208040	Caliper Fixing Bolt C (35 mm)	A	
13	Y8NU02000	Washer for R160 Adapter	A	
14	Y8NU03000	Snap Retainer	A	
15	Y8PG98010	Cable Adjuster		
16	Y8PG98020	Cable Guide		
17	Y8K998010	Lock Ring & Washer	A	
18	Y12009230	TL-LR15 Lock Ring Removal Tool	A	
19	Y8KT98010	Rotor Fixing Bolt & Lock Washer		

A: Same parts.

B: Parts are usable, but differ in materials, appearance, finish, size, etc.

Absence of mark indicates non-interchangeability.

Specifications are subject to change without notice.

Nov.-2018-4011A

© Shimano Inc. I

**SHIMANO**