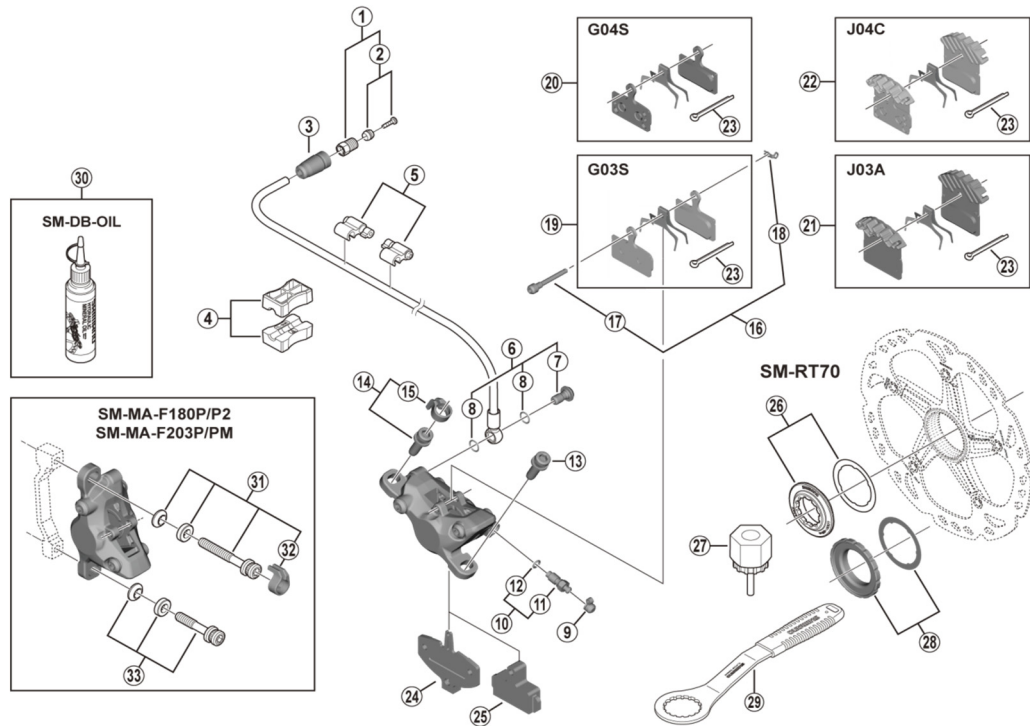


SLX Disc Brake
BR-M7100 Brake Caliper
SM-RT70 Disc Rotor

SM-BH90-SBM Brake Hose



BR-M7100
 BR-M7000

ITEM NO.	SHIMANO CODE NO.	DESCRIPTION	INTERCHANGEABILITY	
1	Y8JA98010	Connecting Bolt Unit	A	A
2	Y8JA98020	Olive & Connector Insert	A	A
3	Y1XJ16000	Cover	A	
4	Y8H198030	TL-BH61 Shimano original tool (2 pcs.)	A	A
5	Y83098040	SM-HANG Hose Supporter A & B	A	A
6	Y2RT98010	Banjo Bolt & O-Ring	A	
7	Y2RT05000	Banjo Bolt	A	
8	Y8SY28000	O-Ring	A	A
9	Y8B214000	Bleed Nipple Cap	A	A
10	Y8CL98050	Bleed Nipple & Seal Ring	A	A
11	Y8CL24200	Bleed Nipple	A	A
12	Y8B511001	O-Ring for Bleed Nipple	A	A
13	Y8C509020	Caliper Fixing Bolt (M6 x 18.7)	A	A
14	Y2F398020	Caliper Fixing Bolt (M6 x 18.7) & Snap Ring	A	A
15	Y2RT06000	Snap Ring	A	A
16	Y8WW98010	Pad Axle & Snap Retainer	B	A
17	Y8EB12000	Pad Axle	B	A
18	Y8J716000	Snap Retainer	A	A
19	Y8WW98030	Resin Pad (G03S) & Spring w/Split Pin	B	A
20	Y8MY98010	Metal Pad (G04S) & Spring w/Split Pin	A	A
21	Y8Z298010	Resin Pad (J03A) w/Fin & Spring w/Split Pin	A	A
22	Y8LW98030	Metal Pad (J04C) w/Fin & Spring w/Split Pin	A	A
23	Y8DB06100	Split Pin	B	B
24	Y8J709000	Pad Spacer	A	A
25	Y8J712000	Bleeding Spacer	A	A
26	Y8P898010	Lock Ring & Washer	B	A
27	Y12009230	TL-LR15 Lock Ring Removal Tool	A	A
28	Y26L98030	Lock Ring & Washer (Externally serrated type)	B	A
29	Y13098000	TL-FC36 Lock Ring Removal Tool	A	A
30	Y83998010	Mineral Oil (50 ml)	A	A
	Y83998020	Mineral Oil (100 ml)	A	A
	Y83998030	Mineral Oil (500 ml)	A	A
31	Y2F398030	Caliper Fixing Bolt Unit (M6 x 37.9) for SM-MA-F180P/P2	A	A
	Y2F398040	Caliper Fixing Bolt Unit (M6 x 40.2) for SM-MA-F203P/PM	A	A
32	Y2RT06000	Snap Ring	A	A
33	Y8G498030	Caliper Fixing Bolt Unit (M6 x 32.1) for SM-MA-F180P/P2	A	A
	Y8J498020	Caliper Fixing Bolt Unit (M6 x 34.4) for SM-MA-F203P/PM	A	A

A: Same parts.

B: Parts are usable, but differ in materials, appearance, finish, size, etc.

Absence of mark indicates non-interchangeability.

Specifications are subject to change without notice.

Jun.-2019-4596

© Shimano Inc. I

SHIMANO