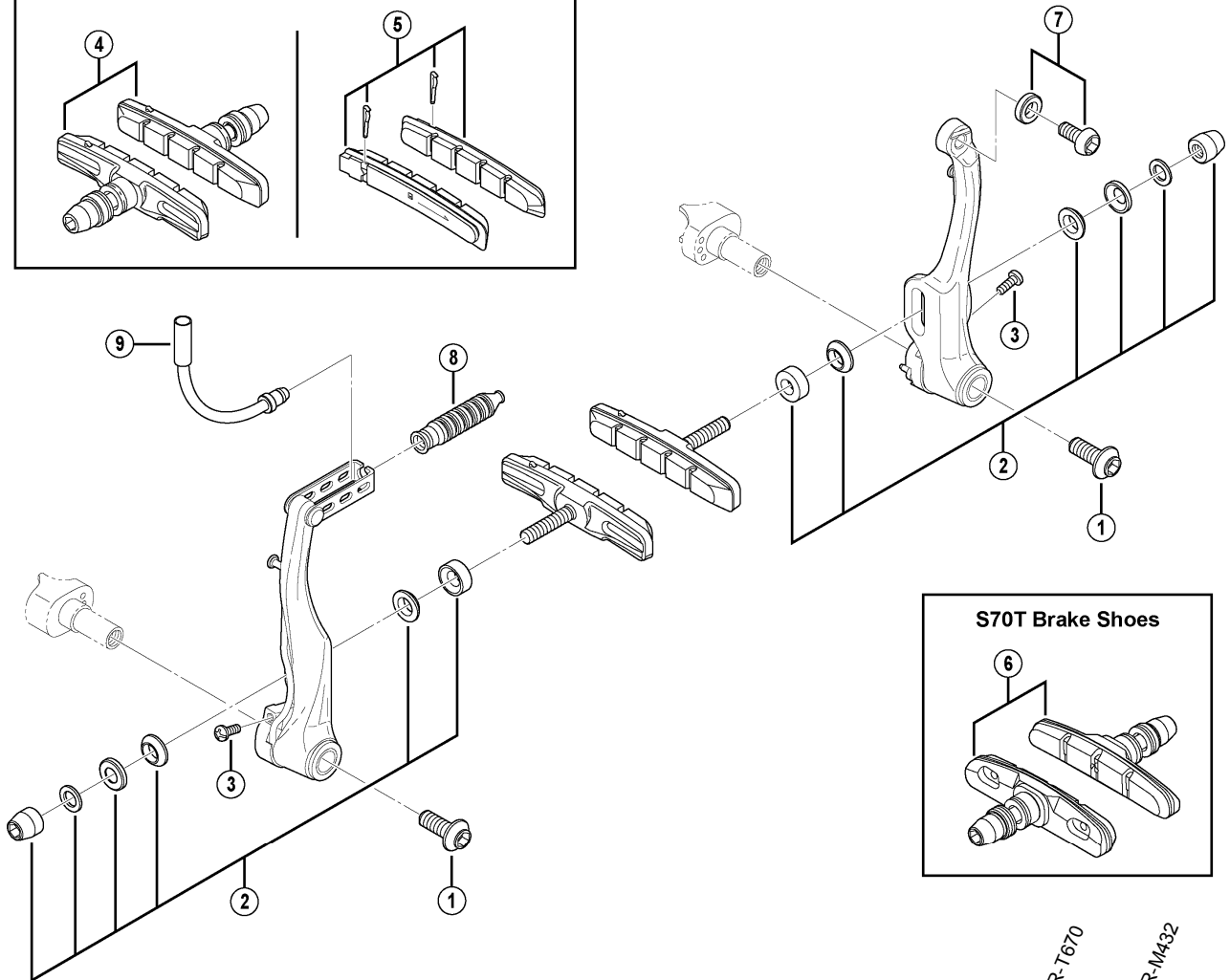
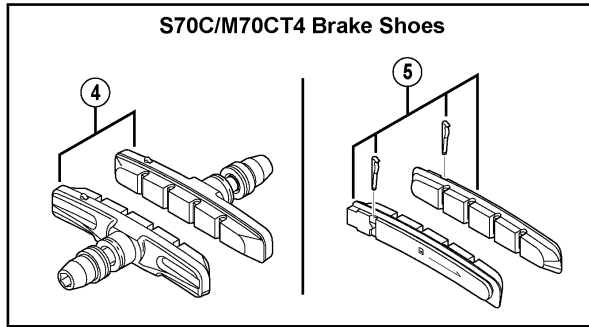


DEORE V-Brake

BR-T610-S Silver Version

BR-T610-L Black Version



BR-T670
BR-IM432

ITEM NO.	SHIMANO CODE NO.	DESCRIPTION	INTERCHANGEABILITY		
1	Y8EM07100	Link Fixing Bolt (M6 x 16)	B	B	
	Y8EM07110	Link Fixing Bolt (M6 x 25)	B	B	
2	Y8B098030	Shoe Fixing Nut Unit	B	A	
3	Y8GV05000	Spring Tension Adjustment Screw (M3 x 8)	A		
	Y81L98010	S70C Cartridge-Type Brake Shoe Set (Pair) for BR-T610-S	A	B	
4	Y81L98020	S70C Cartridge-Type Brake Shoe Set (Pair) for BR-T610-L	A	B	
	Y81L98030	M70CT4 Cartridge-Type Brake Shoe Set (Pair) for BR-T610-S	A	B	
	Y81L98040	M70CT4 Cartridge-Type Brake Shoe Set (Pair) for BR-T610-L	A	B	
5	Y8AA98130	S70C Cartridge-Type Brake Shoes & Fixing Pins (Pair)	A	A	
	Y8A298060	M70CT4 Cartridge-Type Brake Shoes & Fixing Pins (Pair)	A	B	
6	Y8KW98010	S70T Cartridge-Type Brake Shoe Set (Pair/Option)	B	B	
7	Y8B098020	Cable Fixing Bolt (M6 x 11.5) & Fixing Plate	A	A	
8	Y8FM05000	Boot	A	B	
9	Y8AA98070	Inner Cable Lead Unit (90 : Middle)	A	A	
	Y8AA98080	Inner Cable Lead Unit (135 : Long)	A	A	
	Y8AA98120	Inner Cable Lead Unit (45 : Short)	A	A	

A: Same parts.
B: Parts are usable, but differ in materials, appearance, finish, size, etc.
Absence of mark indicates non-interchangeability.

Apr.-2013-3501
© Shimano Inc. A