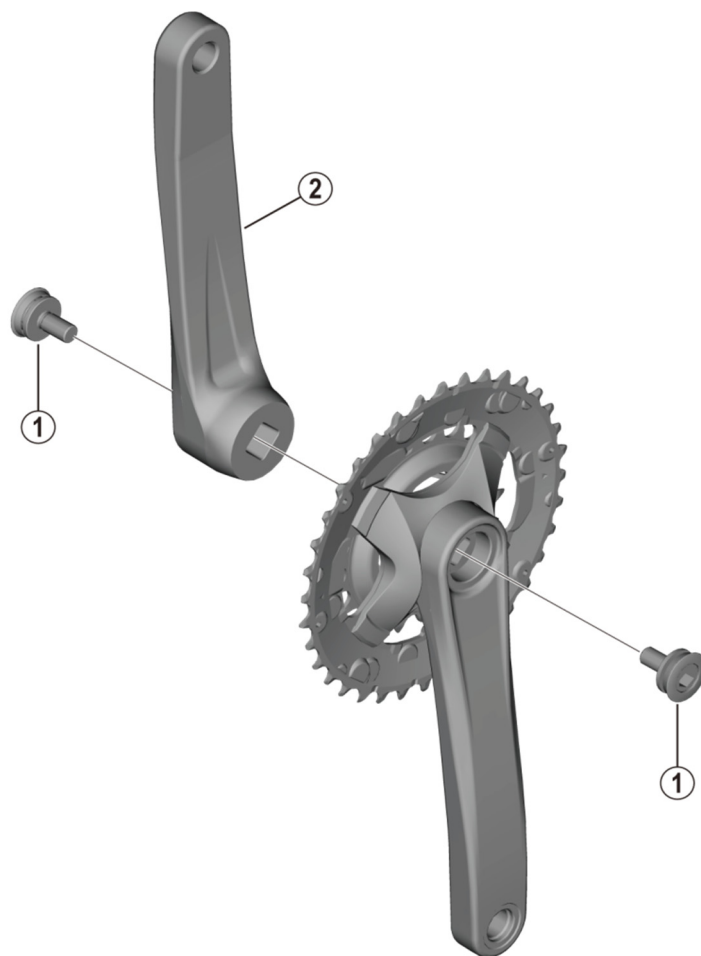


Crankset  
**FC-MT101-2 / FC-MT101-B2**



• Chaining teeth combinations: 36-22T

ITEM NO.	SHIMANO CODE NO.	DESCRIPTION	INTERCHANGE-ABILITY	
			A	A
1	Y1FP98010	Crank Arm Fixing Bolt & Cap	A	A
2	Y0G405100	Left Hand Crank Arm 170 mm	A	A
	Y0G403100	Left Hand Crank Arm 175 mm	A	A

A: Same parts.

B: Parts are usable, but differ in materials, appearance, finish, size, etc.

Absence of mark indicates non-interchangeability.

Specifications are subject to change without notice.

FC-MT101-3  
 FC-M315-2/B2

Apr.-2019-4546

© Shimano Inc. I

**SHIMANO**