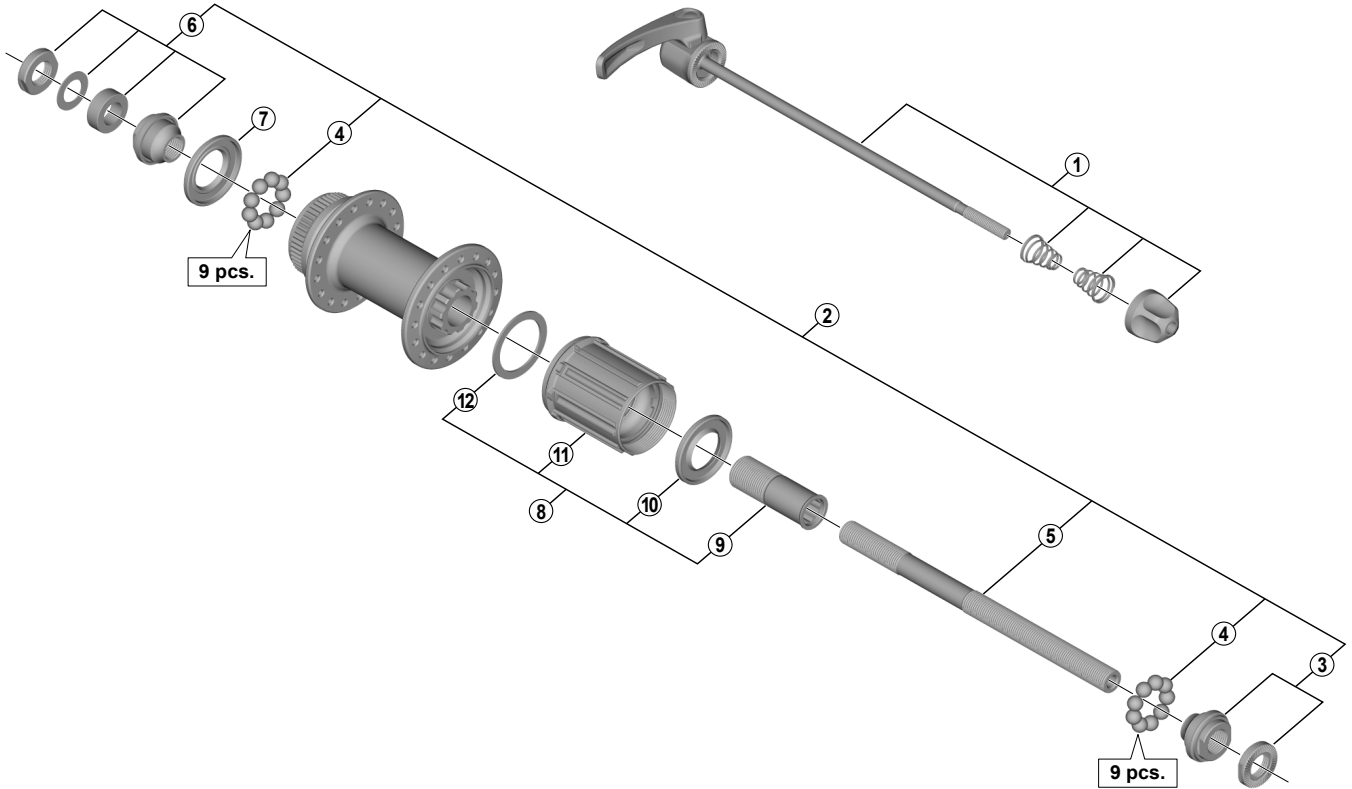


SLX Freehub (8/9/10/MTB 11-speed)  
**FH-M7000** For Disc Brake



• Over Lock Nut Dimension: 135 mm (5-5/16")

FH-M675

ITEM NO.	SHIMANO CODE NO.	DESCRIPTION	INTERCHANGEABILITY	
1	Y39J98010	Complete Quick Release 168 mm (6-5/8")		
	Y39J98020	Complete Quick Release 173 mm (6-13/16")		
2	Y3SY98010	Complete Hub Axle 146 mm (5-3/4")	A	
3	Y3D398040	Right Hand Lock Nut Unit	A	
4	Y00091310	Steel Ball (1/4") 18 pcs.		
5	Y30K01200	Hub Axle M10 x 146 mm (5-3/4")	A	
6	Y3SY98020	Left Hand Lock Nut Unit	A	
7	Y3CR09000	Left Hand Seal Ring	A	
8	Y3D398070	Complete Freewheel Body	A	
9	Y3D310000	Body Fixing Bolt	A	
10	Y3CR08000	Right Hand Seal Ring	A	
11	Y3D398080	Freewheel Body Unit	A	
12	Y37504000	Freewheel Body Washer	A	

A: Same parts.

B: Parts are usable, but differ in materials, appearance, finish, size, etc.

Absence of mark indicates non-interchangeability.

May-2016-4006

© Shimano Inc. I

Specifications are subject to change without notice.

**SHIMANO**