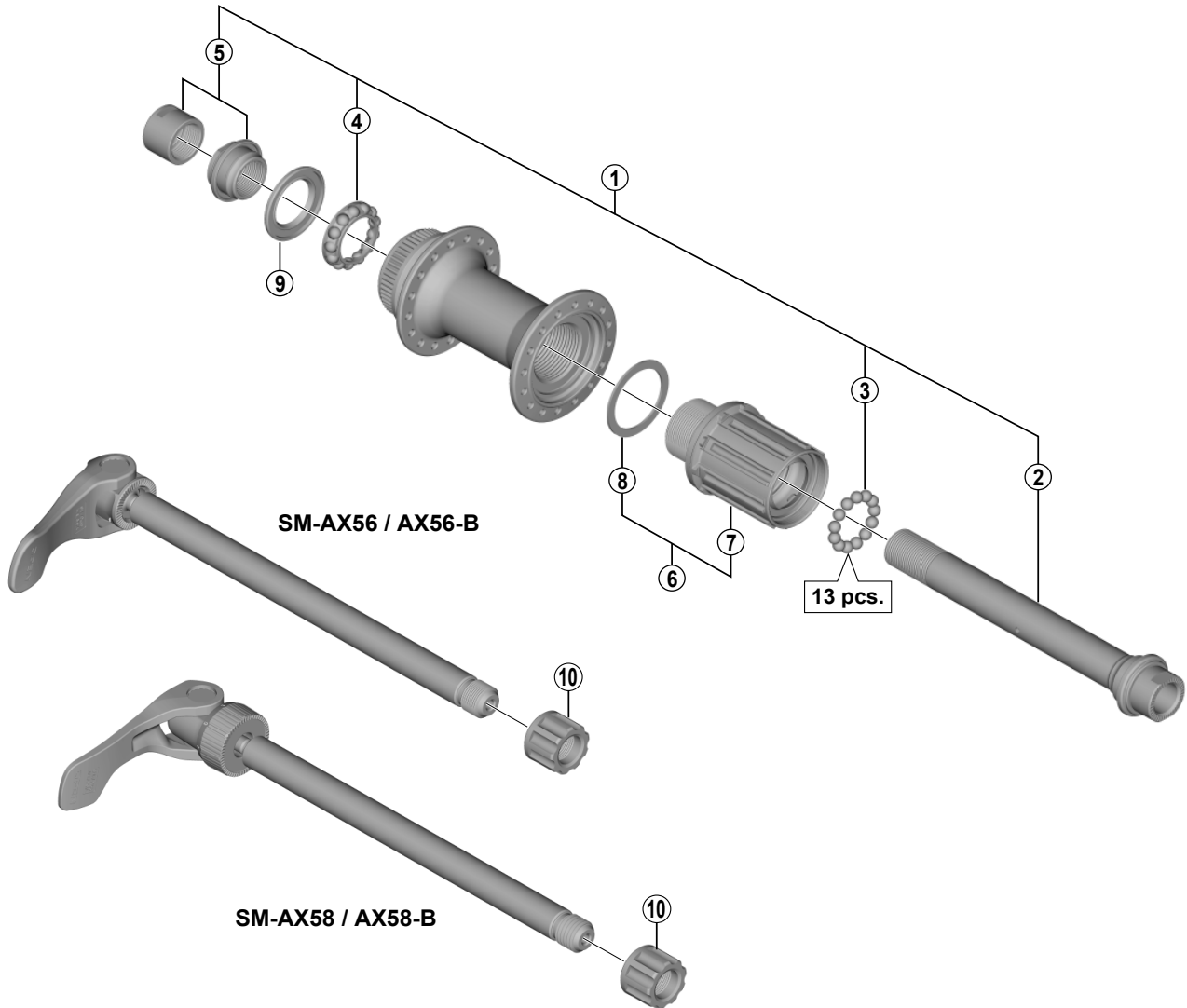


SLX Freehub (8/9/10/MTB 11-speed) for Disc Brake

**FH-M7010/M7010-B**

**SM-AX58/AX56/AX58-B/AX56-B**



• Over Lock Nut Dimension: 142 mm (5-19/32") for FH-M7010 / 148 mm (5-13/16") for FH-M7010-B

ITEM NO.	SHIMANO CODE NO.	DESCRIPTION	FH-M8010		FH-M678	
			INTERCHANGEABILITY		INTERCHANGEABILITY	
1	Y3TL98010	Complete Hub Axle for FH-M7010		A		
	Y39F98010	Complete Hub Axle for FH-M7010-B		B		
2	Y3TL98020	Hub Axle for FH-M7010		A		
	Y39F98020	Hub Axle for FH-M7010-B		B		
3	Y00091210	Steel Ball (3/16") 20 pcs.	A	A		
4	Y3D498050	Ball Retainer (3/16")	A	A		
5	Y3TL98030	Left Hand Lock Nut (M15) & Cone (M15) w/Dust Cover	B	A		
6	Y3TL98040	Complete Freewheel Body	B	A		
7	Y3TL98050	Freewheel Body Unit	B	A		
8	Y3CZ12000	Freewheel Body Washer	A	A		
9	Y26D10000	Seal Ring	A	A		
10	Y27Y02000	Fixing Nut (M12)	A	A		

A: Same parts.

B: Parts are usable, but differ in materials, appearance, finish, size, etc.

Absence of mark indicates non-interchangeability.

Apr.-2016-4007

© Shimano Inc. I

Specifications are subject to change without notice.

**SHIMANO**