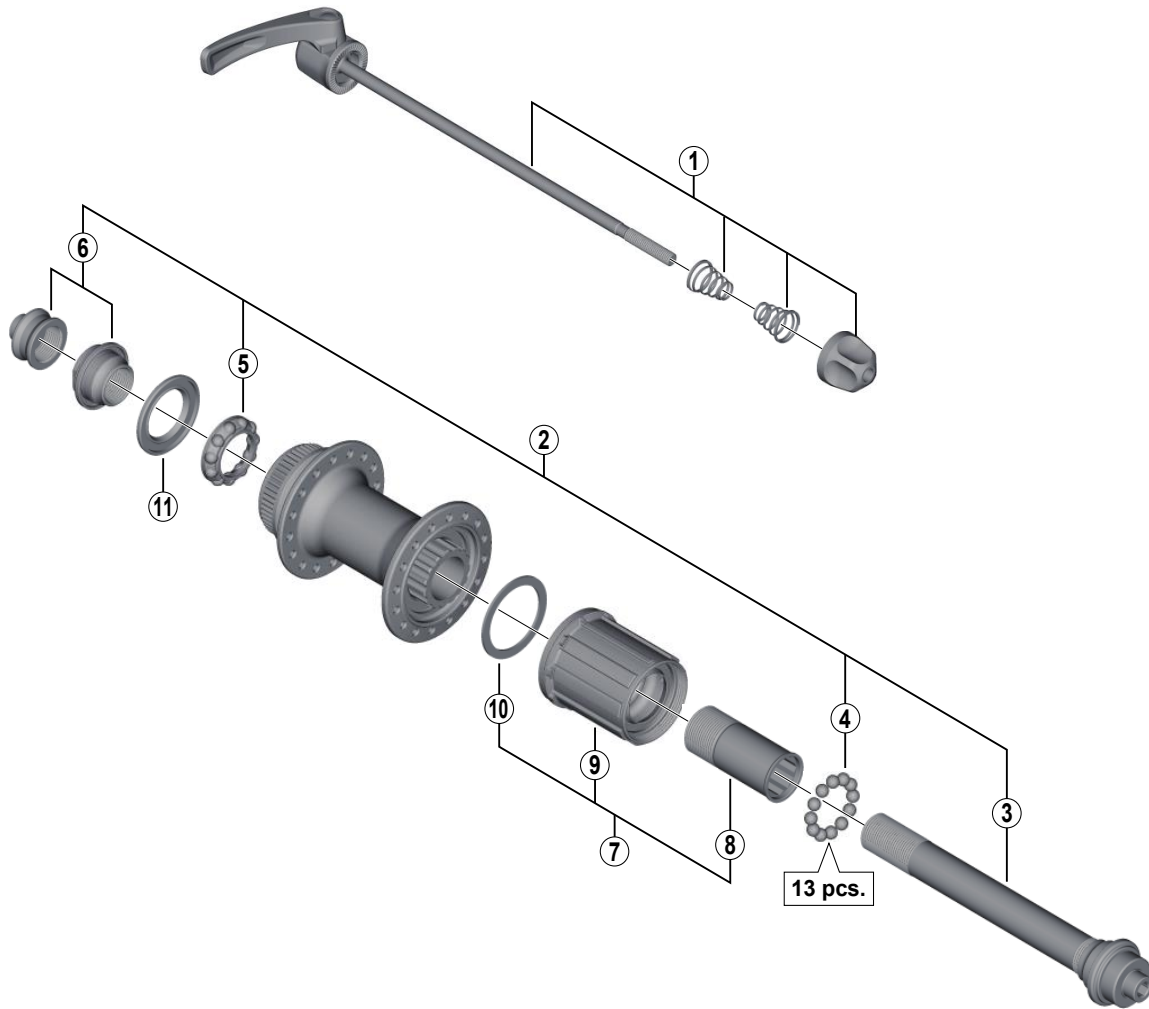


DEORE XT Freehub (8/9/10/MTB 11-Speed)

# FH-M8000 For Disc Brake



• Over Lock Nut Dimension: 135 mm (5-5/16")

ITEM NO.	SHIMANO CODE NO.	DESCRIPTION	INTERCHANGEABILITY
1	Y32Z98010	Complete Quick Release 168 mm (6-5/8")	B
	Y32Z98020	Complete Quick Release 173 mm (6-13/16")	B
2	Y3TG98030	Complete Hub Axle	A
3	Y3CZ98020	Hub Axle Unit	A
4	Y00091210	Steel Ball (3/16") 20 pcs.	A
5	Y26J98030	Ball Retainer (3/16")	A
6	Y3TG98040	Left Hand Lock Nut (M14) & Cone (M14) w/Dust Cover	A
7	Y3CZ98040	Complete Freewheel Body	A
8	Y3CZ18000	Body Fixing Bolt	A
9	Y3CZ98050	Freewheel Body Unit	A
10	Y3CZ12000	Freewheel Body Washer	A
11	Y26D10000	Seal Ring	A

A: Same parts.

B: Parts are usable, but differ in materials, appearance, finish, size, etc.

Absence of mark indicates non-interchangeability.

Specifications are subject to change without notice.

WH-M785

May-2015-3866

© Shimano Inc. I

# SHIMANO