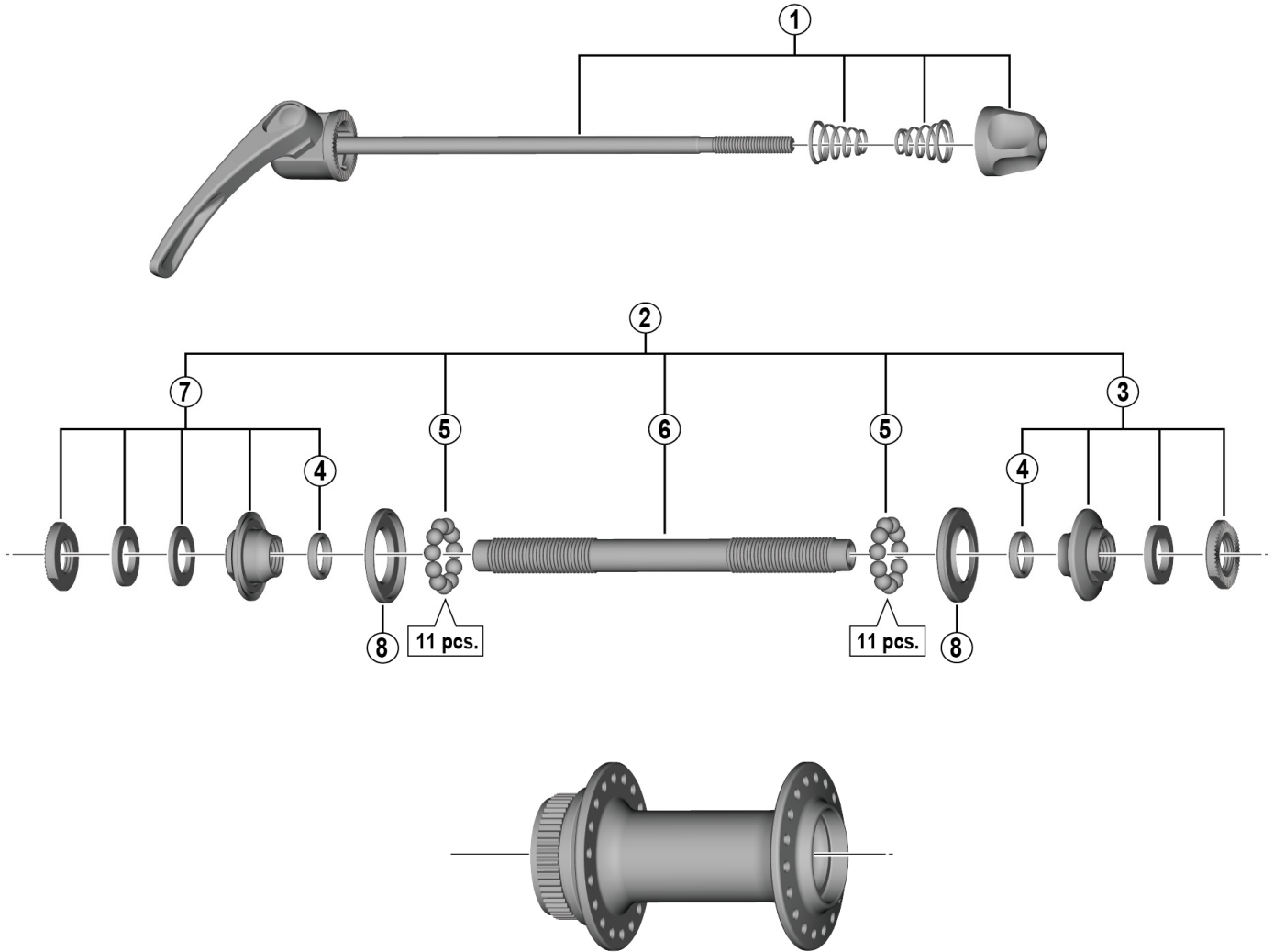


# DEORE Front Hub HB-M6000 For Disc Brake



• Over Lock Nut Dimension: 100 mm (3-15/16")

ITEM NO.	SHIMANO CODE NO.	DESCRIPTION	INTERCHANGEABILITY	
1	Y4D298060	Complete Quick Release 133 mm (5-1/4")	A	
2	Y2TS98010	Complete Hub Axle 108 mm (4-1/4")	A	
3	Y2TS98020	Right Hand Lock Nut Unit	A	
4	Y2T804000	O-Ring	A	
5	Y4BB98030	Steel Ball (3/16") 22 pcs.	A	
6	Y21S02000	Hub Axle M10 x 108 mm (4-1/4")	A	
7	Y2TS98030	Left Hand Lock Nut Unit	A	
8	Y2TA06000	Seal Ring	A	

A: Same parts.

B: Parts are usable, but differ in materials, appearance, finish, size, etc.

Absence of mark indicates non-interchangeability.

Specifications are subject to change without notice.

HB-M615

Mar.-2017-4193

© Shimano Inc. I

# SHIMANO