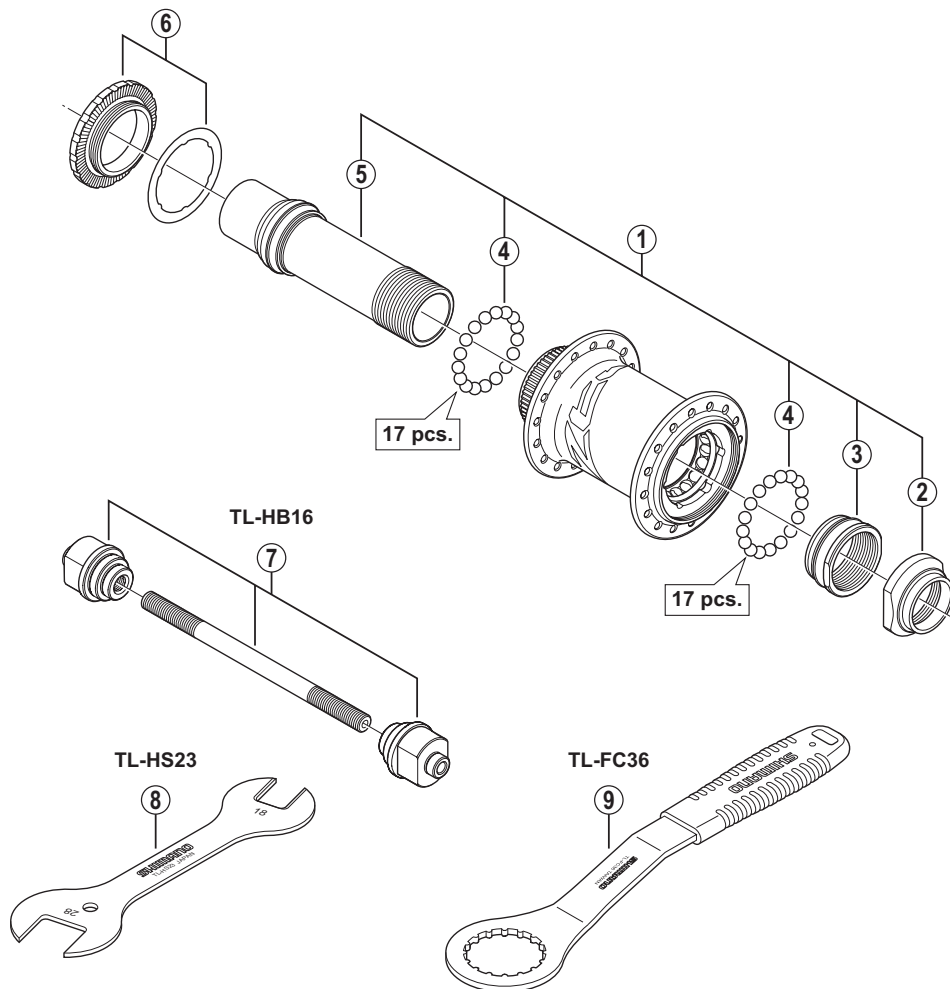


SHIMANO ZEE Front Hub HB-M640 For Disc Brake



• Over Lock Nut Dimension: 110 mm (4-11/32")

HB-M640

ITEM NO.	SHIMANO CODE NO.	DESCRIPTION	INTERCHANGEABILITY
1	Y28G98010	Complete Hub Axle	
2	Y28G04000	Lock Nut (M25)	
3	Y28G06000	Right Hand Cone (M25)	
4	Y25U98020	Steel Ball (3/16") 36 pcs.	
5	Y28G98020	Hub Axle 103 mm	A
6	Y26L98030	Lock Ring & Washer	B
7	Y20W98020	TL-HB16 Hub Setting Tool	A
8	Y20W04000	TL-HS23 Hub Spanner (18 mm x 28 mm)	A
9	Y13098000	TL-FC36 for Lock Ring Removal Tool	A

A: Same parts.

B: Parts are usable, but differ in materials, appearance, finish, size, etc.

Absence of mark indicates non-interchangeability.

Mar.-2012-3437
© Shimano Inc. I

Specifications are subject to change without notice.

SHIMANO