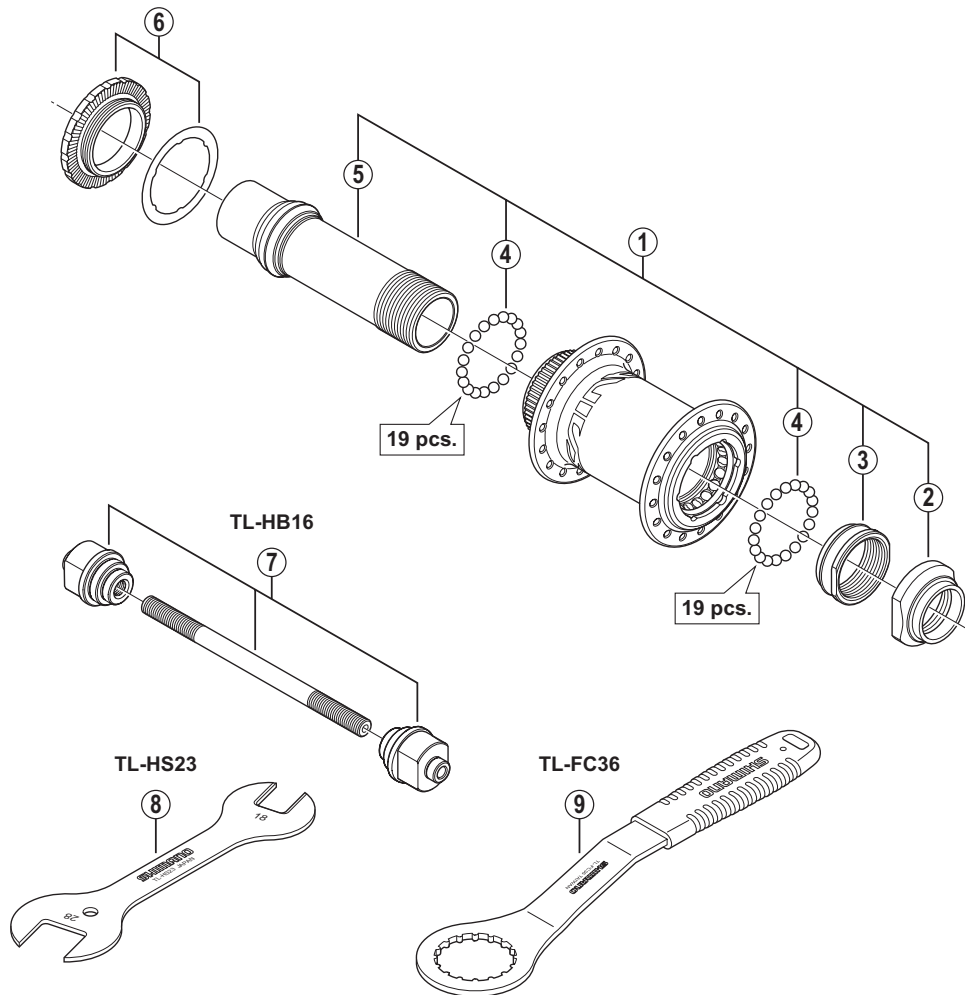


SAINT Front Hub HB-M820 For Disc Brake



• Over Lock Nut Dimension: 110 mm (4-11/32")

ITEM NO.	SHIMANO CODE NO.	DESCRIPTION
1	Y28F98010	Complete Hub Axle
2	Y28F10000	Lock Nut (M25)
3	Y28F06000	Right Hand Cone (M25)
4	Y28F98020	Steel Ball (5/32") 38 pcs.
5	Y28F98030	Hub Axle 103 mm
6	Y26N98030	Lock Ring & Washer
7	Y20W98020	TL-HB16 Hub Setting Tool
8	Y20W04000	TL-HS23 Hub Spanner (18 mm x 28 mm)
9	Y13098000	TL-FC36 for Lock Ring Removal Tool

Mar.-2012-3389
© Shimano Inc. I

Specifications are subject to change without notice.

SHIMANO