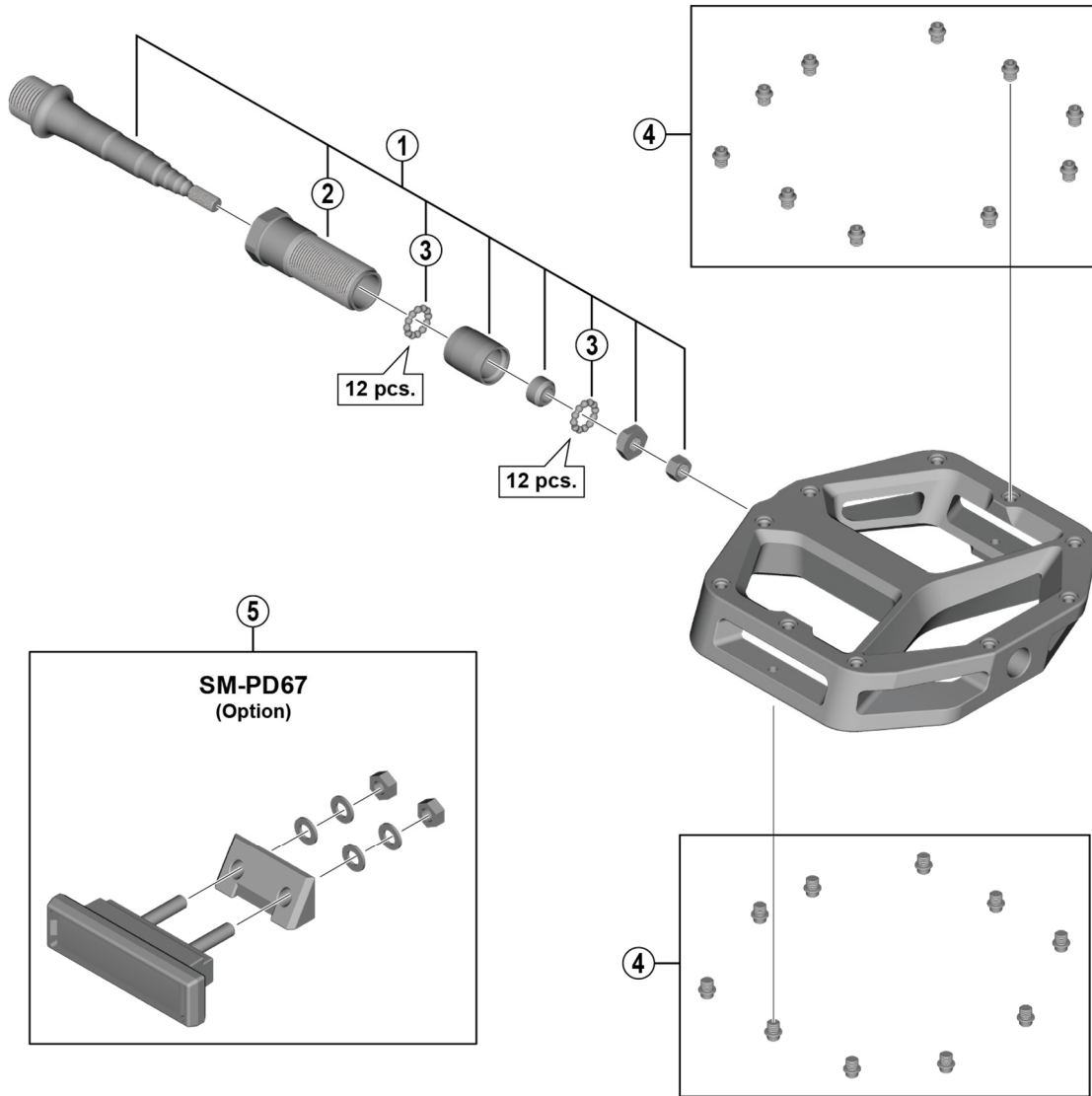


DEORE XT Pedals PD-M8040



ITEM NO.	SHIMANO CODE NO.	DESCRIPTION	INTERCHANGEABILITY	
			PD-GR500	PD-M828
1	YL8698030	Pedal Axle Assembly (Right / B.C.9/16" x 20T.P.I.)		
	YL8698040	Pedal Axle Assembly (Left / B.C.9/16" x 20T.P.I.)		
2	YL8698050	Lock Bolt (Right)		
	YL8698060	Lock Bolt (Left)		
3	Y41N98030	Steel Ball (3/32") 62 pcs.	A	B
4	YL8A98010	Short Pin (12 pcs.)		B
	YL8A98020	Long Pin (12 pcs.)		B
5	YL8698070	SM-PD67 Reflector Unit (4 pcs. / Option)		
	YL8698080	SM-PD67 Reflector Unit (AS / 4 pcs. / Option)		

A: Same parts.

B: Parts are usable, but differ in materials, appearance, finish, size, etc.

Absence of mark indicates non-interchangeability.

Specifications are subject to change without notice.

Dec.-2017-4176

© Shimano Inc. I

SHIMANO