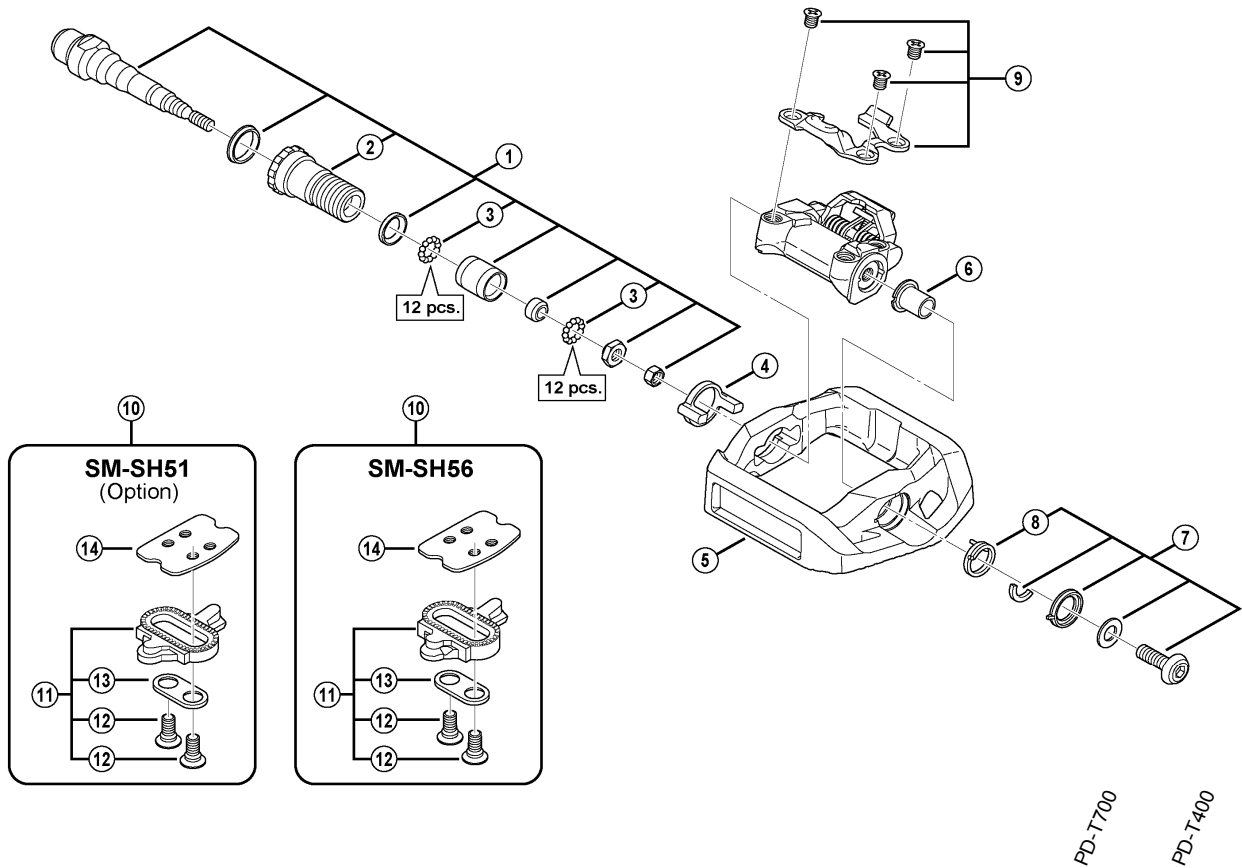


SHIMANO CLICK'R Pedals

# PD-T420



PD-T700  
PD-T400

ITEM NO.	SHIMANO CODE NO.	DESCRIPTION	INTERCHANGEABILITY	
1	Y41P98030	Pedal Axle Assembly (Right / B.C.9/16" x 20T.P.I.)		A
	Y41P98020	Pedal Axle Assembly (Left / B.C.9/16" x 20T.P.I.)		A
2	Y43Z13100	Lock Bolt (Right)		A
	Y43Z14100	Lock Bolt (Left)		A
3	Y41N98030	Steel Ball (3/32") 62 pcs.	A	A
4	Y41V14000	Axle Sleeve	A	A
5	Y42M98030	Cage (Right) & Reflector		
	Y42M98040	Cage (Left) & Reflector		
	Y42M98050	Cage (Right) & Reflector (AS)		
	Y42M98060	Cage (Left) & Reflector (AS)		
6	Y41V13000	Sleeve	A	A
7	Y41V98090	Cage Fixing Bolt Unit (Right)	A	A
	Y41V98100	Cage Fixing Bolt Unit (Left)	A	A
8	Y41V09000	Cage Spring (Right)	A	A
	Y41V10000	Cage Spring (Left)	A	A
9	Y41V98110	Body Cover (Right) & Fixing Bolts (M5)	B	A
	Y41V98120	Body Cover (Left) & Fixing Bolts (M5)	B	A
10	Y42498200	SM-SH51 Cleat Set (Single Release Mode / Pair)	A	A
	Y41S98090	SM-SH56 Cleat Set (Multiple Release Mode / Pair)	A	A
11	Y42498201	SM-SH51 Cleat Set w/o Cleat Nut (Single Release Mode / Pair)	A	A
	Y41S98100	SM-SH56 Cleat Set w/o Cleat Nut (Multiple Release Mode / Pair)	A	A
12	Y41704030	Cleat Fixing Bolt (1 pc.)	A	A
13	Y42423000	Cleat Adapter (1 pc.)	A	A
14	Y40N01000	Cleat Nut (1 pc.)	A	A

A: Same parts.

B: Parts are usable, but differ in materials, appearance, finish, size, etc.

Absence of mark indicates non-interchangeability.

Mar.-2013-3556

© Shimano Inc. A