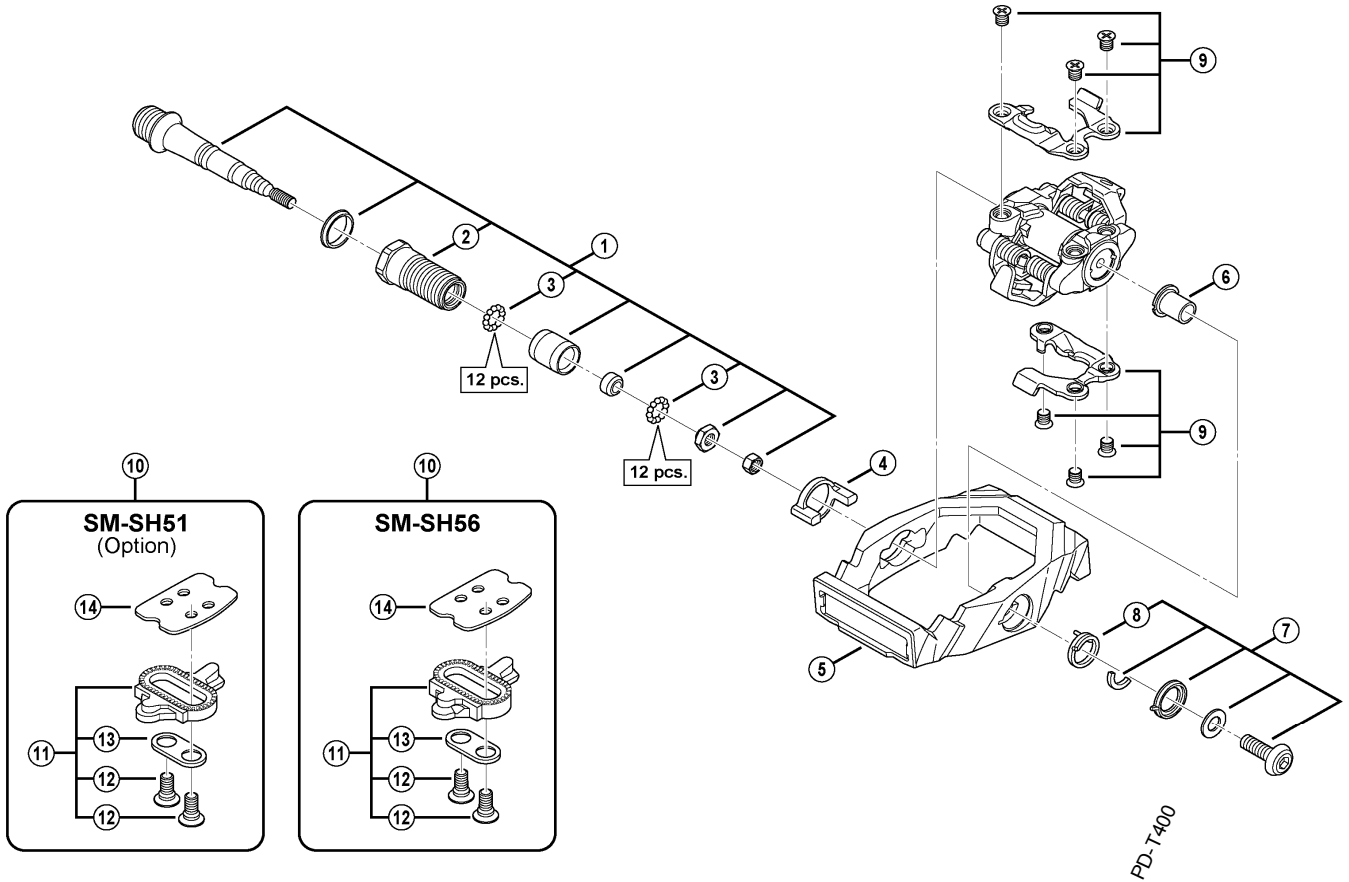


SHIMANO CLICK'R Pedals

PD-T700



ITEM NO.	SHIMANO CODE NO.	DESCRIPTION	INTERCHANGEABILITY
* 1	Y41U98110	Pedal Axle Assembly (Right / B.C.9/16" x 20T.P.I.)	
	Y41U98020	Pedal Axle Assembly (Left / B.C.9/16" x 20T.P.I.)	
2	Y41U98030	Lock Bolt (Right)	
	Y41U98040	Lock Bolt (Left)	
3	Y41N98030	Steel Ball (3/32") 62 pcs.	A
4	Y41V14000	Axle Sleeve	A
5	Y41U98050	Cage (Right) & Reflector	
	Y41U98060	Cage (Left) & Reflector	
	Y41U98070	Cage (Right) & Reflector (AS)	
	Y41U98080	Cage (Left) & Reflector (AS)	
6	Y41V13000	Sleeve	A
7	Y41V98090	Cage Fixing Bolt Unit (Right)	A
	Y41V98100	Cage Fixing Bolt Unit (Left)	A
8	Y41V09000	Cage Spring (Right)	A
	Y41V10000	Cage Spring (Left)	A
9	Y41U98090	Body Cover (Right) & Fixing Bolts (M5)	B
	Y41U98100	Body Cover (Left) & Fixing Bolts (M5)	B
10	Y42498200	SM-SH51 Cleat Set (Single Release Mode / Pair)	A
	Y41S98090	SM-SH56 Cleat Set (Multiple Release Mode / Pair)	A
11	Y42498201	SM-SH51 Cleat Set w/o Cleat Nut (Single Release Mode / Pair)	A
	Y41S98100	SM-SH56 Cleat Set w/o Cleat Nut (Multiple Release Mode / Pair)	A
12	Y41704030	Cleat Fixing Bolt (1 pc.)	A
13	Y42423000	Cleat Adapter (1 pc.)	A
14	Y40N01000	Cleat Nut (1 pc.)	A

A: Same parts.

B: Parts are usable, but differ in materials, appearance, finish, size, etc.

Absence of mark indicates non-interchangeability.

Mar.-2013-3459A

© Shimano Inc. A

Specifications are subject to change without notice.

SHIMANO