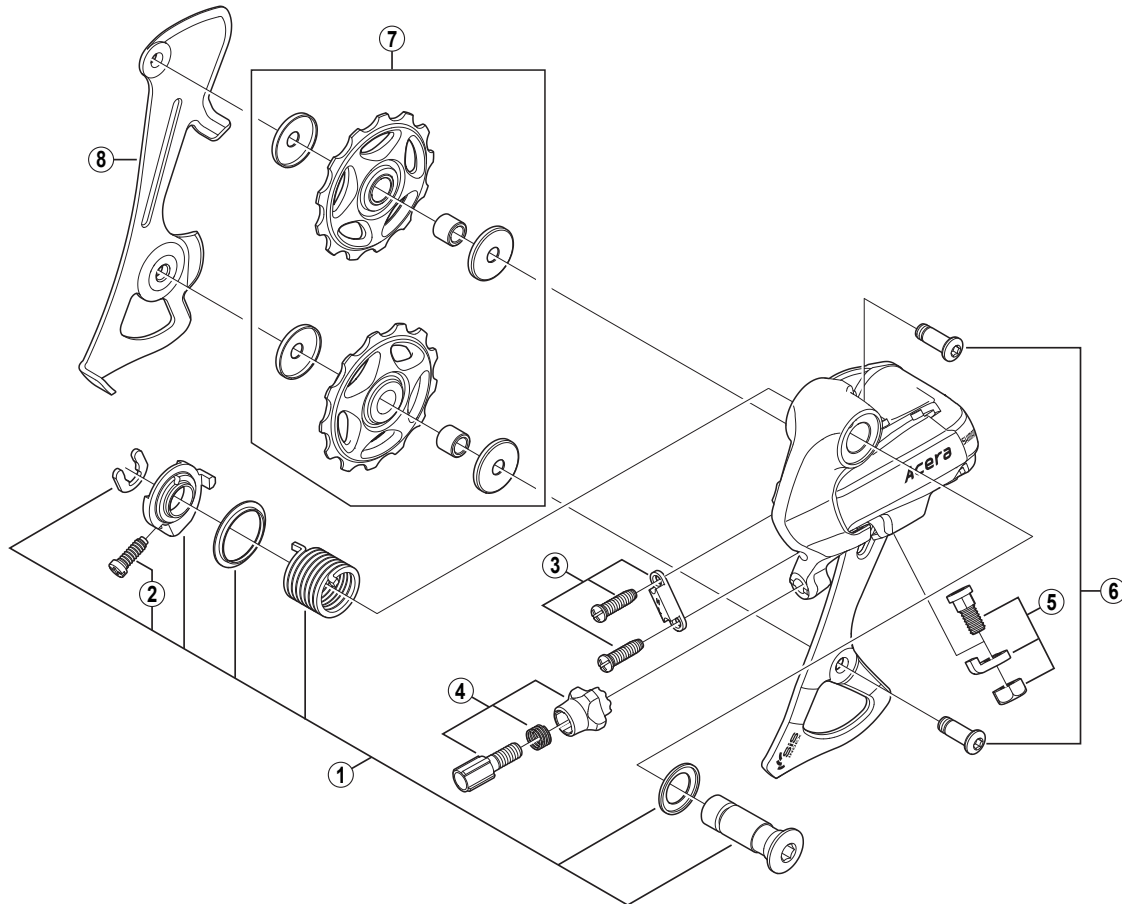


ACERA Rear Derailleur

RD-M360-S (SGS) Silver Version

RD-M360-L (SGS) Black Version



RD-M410
RD-M310

ITEM NO.	SHIMANO CODE NO.	DESCRIPTION	INTERCHANGEABILITY	
1	Y-5WP 98010	B-Axle Assembly		
2	Y-5T8 22000	B-Tension Adjusting Screw (M4 x 12)	A	A
3	Y-5VP 98020	Stroke Adjusting Screws (M4 x 14.5) & Plate	A	A
4	Y-5VP 98030	Cable Adjusting Bolt Unit	A	A
5	Y-5WG98010	Cable Fixing Bolt Unit		A
6	Y-5WP 98020	Pulley Bolt (M5 x 13.95) 2 pcs.		
7	Y-5VP 98050	Tension & Guide Pulley Set	A	
8	Y-5WP 10000	Inner Plate		

A: Same parts.

B: Parts are usable, but differ in materials, appearance, finish, size, etc.

Absence of mark indicates non-interchangeability.

0802-2808

Specifications are subject to change without notice.

SHIMANO