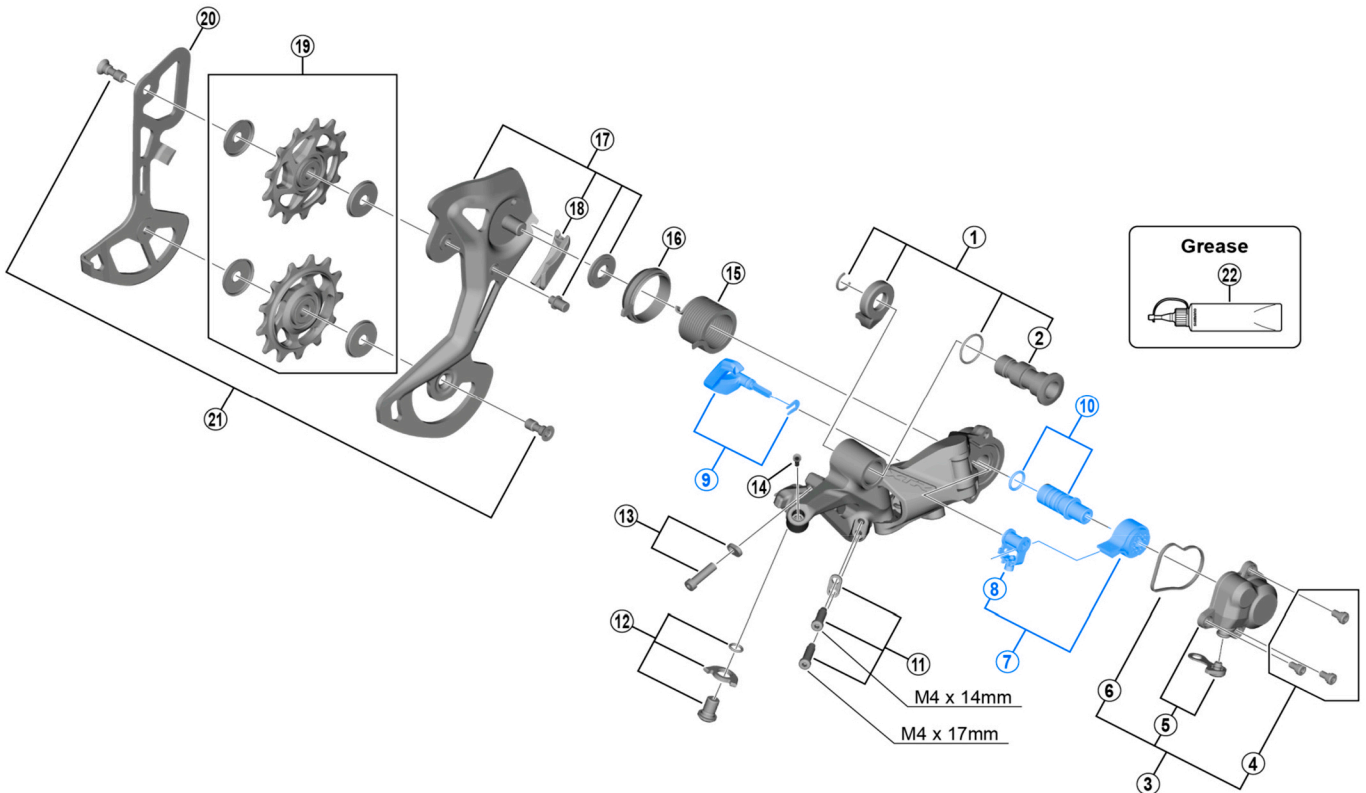


XTR Rear Derailleur

RD-M9100-GS 11 (Wide flange) / 12-speed

RD-M9100-SGS 12-speed



ITEM NO.	SHIMANO CODE NO.	DESCRIPTION	INTERCHANGE-ABILITY
1	Y3FA98010	Bracket Axle Unit	
2	Y3FA42000	B-Axle	
3	Y3FA98020	P-Cover Unit	
4	Y5Y198070	P-Cover Bolt Set (3 pcs.)	A
5	Y3FA98030	P-Cover & Cap	
6	Y3FA63000	P-Cover Packing	
7	Y3E498030	Stabilizer Unit	A
8	Y3E498040	Cam Unit	A
9	Y3FA98040	Switch Lever Unit & Fixing Plate	
10	Y5PV98060	P-Axle & O-Ring	A
11	Y3FA98050	Stroke Adjusting Screws & Plate	
12	Y3FA98060	Cable Fixing Bolt Unit	
13	Y5PV98070	End Adjust Bolt (M4 x 14.1) & Plate	A
14	Y5PV48000	Cover with tongue	A
15	Y3FA55000	P-Tension Spring	
16	Y3FA62000	P-Seal Ring	
17	Y3FA98070	Outer Plate Assembly (GS)	
	Y3FA98080	Outer Plate Assembly (SGS)	
18	Y3FA59000	Bamper	
19	Y3FA98090	Tension & Guide Pulley Set	
20	Y3FA16000	Inner Plate (GS)	
	Y3FA26000	Inner Plate (SGS)	
21	Y5XX98130	Pulley Bolt (2 pcs.)	A
* 22	Y04121000	New Grease for Stabilizer (Net. 50g)	A

A: Same parts.

B: Parts are usable, but differ in materials, appearance, finish, size, etc.

Absence of mark indicates non-interchangeability.

Specifications are subject to change without notice.

Aug.-2018-4387B

© Shimano Inc. I

SHIMANO