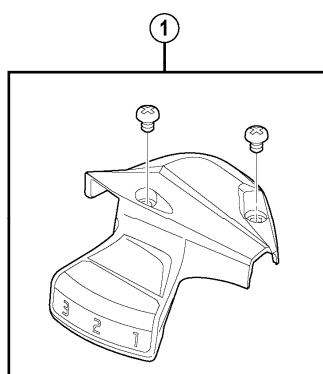
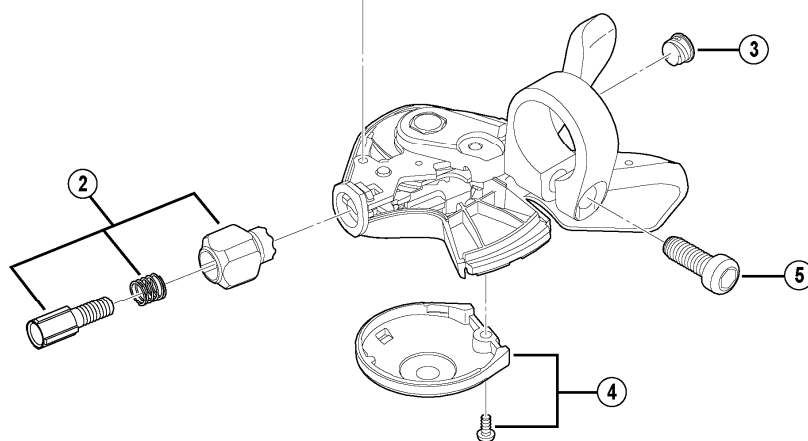
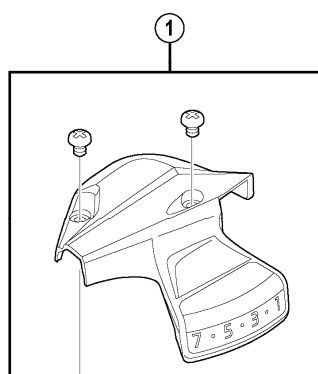


# Rapidfire Lever SL-M310

For Left Hand



For Right Hand



SL-M430

SL-M360

ITEM NO.	SHIMANO CODE NO.	DESCRIPTION	INTERCHANGEABILITY		
1	Y6TB98010	R.H. Indicator Unit for 7-speed			
	Y6TB98020	R.H. Indicator Unit for 8-speed			
	Y6TC98010	L.H. Indicator Unit			
2	Y6PZ98070	Cable Adjusting Bolt Unit	A		
3	Y6CD33000	Inner Hole Cap	A	A	
4	Y6TB98060	Main Lever Cover & Fixing Screw			
5	Y6A780000	Clamp Bolt (M6 x 16)			

A: Same parts.

B: Parts are usable, but differ in materials, appearance, finish, size, etc.

Absence of mark indicates non-interchangeability.

Mar.-2010-3034

© Shimano Inc. A

Specifications are subject to change without notice.

# SHIMANO