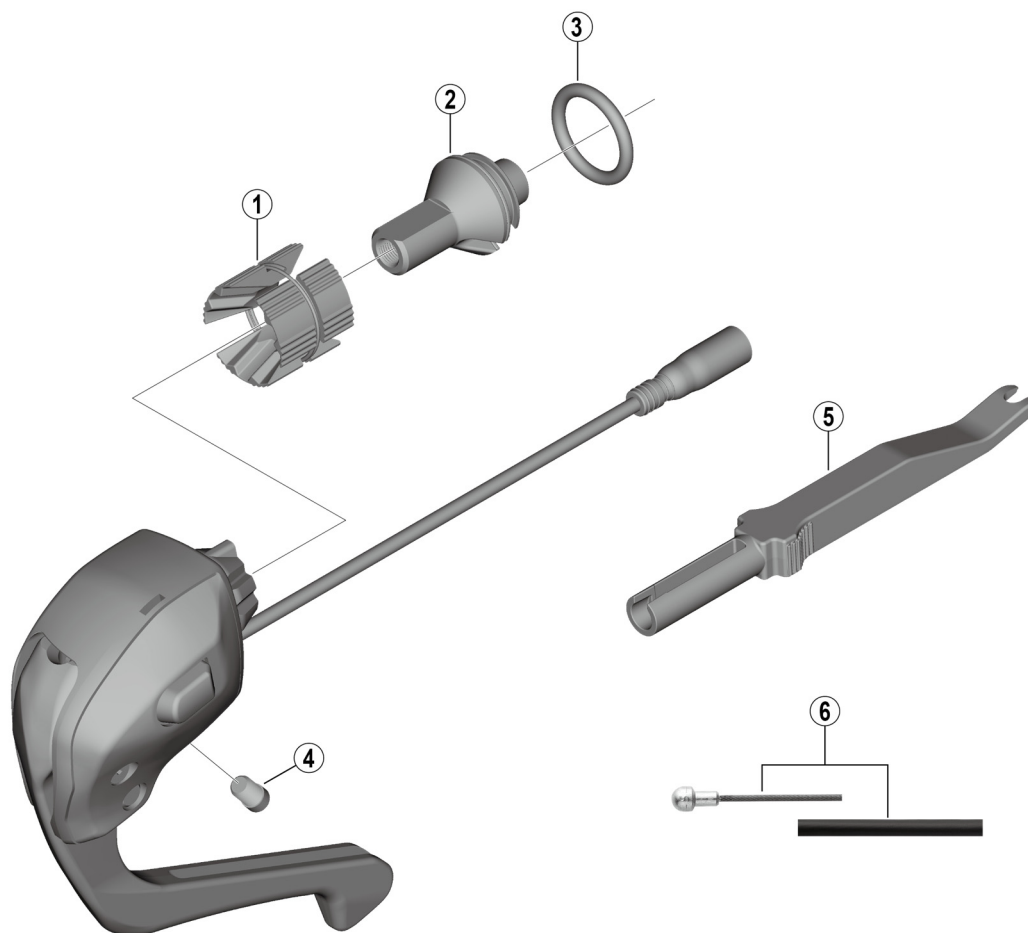


ULTEGRA Dual Control Lever ST-R8060



ST-R9160

ITEM NO.	SHIMANO CODE NO.	DESCRIPTION	INTERCHANGEABILITY	
1	Y0C298020	Fixed Shoes (3 pcs.) & Segment Spring	A	
2	Y0C298030	Expander Bolt & Cable Fixing Ring	A	
3	Y0C200040	O-Ring D14	A	
4	Y00U00030	Grip Adjusting Screw	A	
5	Y6VE16000	TL-EW02 Plug Tool	A	
6	Y8YZ98010	BC-9000 polymer coated brake cable sets (Black) • Outer cap with tongue for BC-9000 (2pcs.) • Inner end cap (2pcs.)	A	
	Y8YZ98020	BC-9000 polymer coated brake cable sets (White) • Outer cap with tongue for BC-9000 (2pcs.) • Inner end cap (2pcs.)	A	
	Y8YZ98030	BC-9000 polymer coated brake cable sets (Red) • Outer cap with tongue for BC-9000 (2pcs.) • Inner end cap (2pcs.)	A	
	Y8YZ98040	BC-9000 polymer coated brake cable sets (High-tech gray) • Outer cap with tongue for BC-9000 (2pcs.) • Inner end cap (2pcs.)	A	
	Y8YZ98080	BC-9000 polymer coated brake cable sets (Orange) • Outer cap with tongue for BC-9000 (2pcs.) • Inner end cap (2pcs.)	A	
	Y8YZ98090	BC-9000 polymer coated brake cable sets (Green) • Outer cap with tongue for BC-9000 (2pcs.) • Inner end cap (2pcs.)	A	
	Y8YZ98091	BC-9000 polymer coated brake cable sets (Blue) • Outer cap with tongue for BC-9000 (2pcs.) • Inner end cap (2pcs.)	A	
	Y8YZ98092	BC-9000 polymer coated brake cable sets (Yellow) • Outer cap with tongue for BC-9000 (2pcs.) • Inner end cap (2pcs.)	A	

A: Same parts.

B: Parts are usable, but differ in materials, appearance, finish, size, etc.

Absence of mark indicates non-interchangeability.

Specifications are subject to change without notice.

Jun.-2017-4247

© Shimano Inc. I

SHIMANO