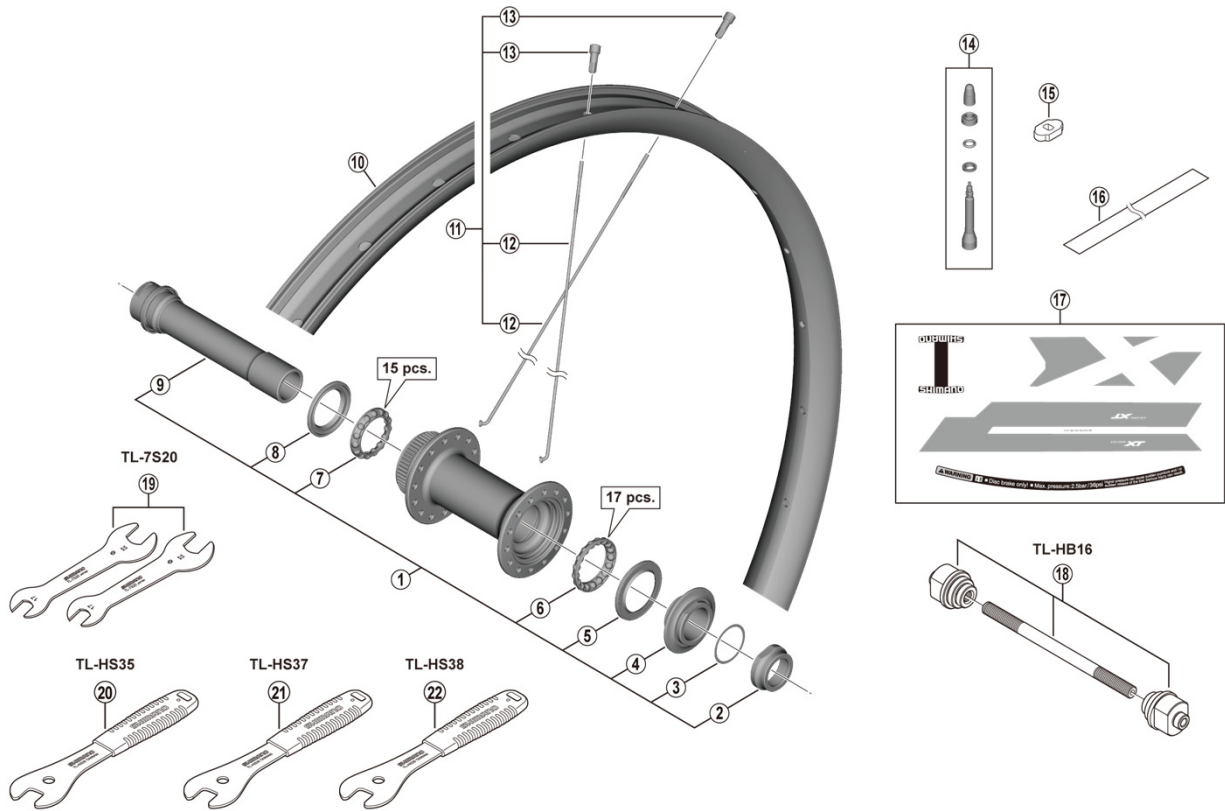


DEORE XT Front Wheel
WH-M8120-TL-F15-B-29 For Disc Brake



• Over Lock Nut Dimension: 110 mm (4-11/32")

ITEM NO.	SHIMANO CODE NO.	DESCRIPTION
1	Y2CZ98010	Complete Hub Axle
2	Y2A500050	Right Hand Lock Nut
3	Y24613000	Adjusting Washer
4	Y24698040	Right Hand Cone w/Dust Cap
5	Y27X15000	Right Hand Seal Ring
6	Y27X98030	Right Hand Ball Retainer (5/32" x 17)
7	Y27X98040	Left Hand Ball Retainer (5/32" x 15)
8	Y27X14000	Left Hand Seal Ring
9	Y2AH98020	Hub Axle Unit
10	-	Rim {28H}
11	-	Spoke Unit {Spoke (293 mm x 28 pcs.) / Nipple (28 pcs.)}
12	Y0HN05000	Spoke (293mm)
13	Y012Z4079	Nipple 12g-BC2 cross recess Type2
14	Y0KL98010	Valve Unit
15	Y4RJ10000	Valve Tool
16	Y0KP00010	Tubeless Tape
17	Y0HN98010	Rim Sticker Unit
18	Y20W98020	TL-HB16 Hub Setting Tool
19	Y13098900	TL-7S20 Hub Spanner (17 mm x 22 mm) 2 pcs.
20	Y23098020	TL-HS35 Hub Spanner 15 mm
21	Y23098030	TL-HS37 Hub Spanner 17 mm
22	Y23098040	TL-HS38 Hub Spanner 18 mm

Nov.-2019-4527
 © Shimano Inc. ITP

Specifications are subject to change without notice.

SHIMANO