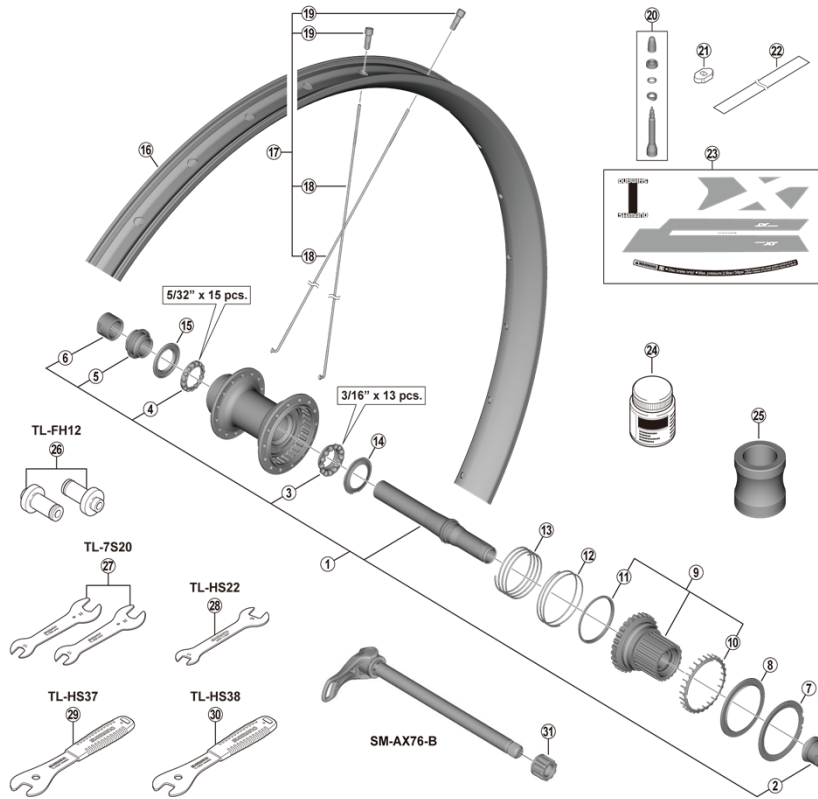


DEORE XT Rear Wheel (MTB 12-speed)

WH-M8120-TL-R12-B-29 For Disc Brake



• Over Lock Nut Dimension: 148 mm (5-13/16")

ITEM NO.	SHIMANO CODE NO.	DESCRIPTION
1	Y3G198010	Complete Hub Axle
2	Y3G198020	Right Hand Cap Unit
3	Y3G198030	Right Hand Ball Retainer (3/16" x 13)
4	Y0CJ98030	Ball Retainer (5/32" x 15)
5	Y3G198040	Left Hand Cone w/Dust Cover
6	Y3G104000	Left Hand Lock Nut
7	Y3FL98060	C-Ring w/Outer Dust Cover
8	Y3FM26000	Outer Seal Ring
9	Y3G198050	Complete Freewheel Body
10	Y3G111000	Spacer
11	Y3FM11000	Slider
12	Y3FM10000	Spring
13	Y3FM12000	Coil Spring
14	Y3G112000	Inner Cover
15	Y26D10000	Seal Ring
16	-	Rim {28H}
17	-	Spoke Unit {Spoke (287.5 mm x 14 pcs. / 290 mm x 14 pcs.) / Nipple (28 pcs.)}
18	Y0HP04000	Spoke (287.5 mm)
18	Y0HP05000	Spoke (290 mm)
19	Y012Z4079	Nipple 12g-BC2 cross recess Type2
20	Y0KL98010	Valve Unit
21	Y4RJ10000	Valve Tool
22	Y0KP00010	Tubeless Tape
23	Y0HP98010	Rim Sticker Unit
24	Y38Z98000	Seal Grease for FREEHUB 50g
25	Y1Y100010	TL-FH16 Seal Ring Presser
26	Y13098011	TL-FH12 Hub Setting Tool for 12 mm Thru-axle
27	Y13098900	TL-7S20 Hub Spanner (17 mm x 22 mm) 2 pcs.
28	Y3C227000	TL-HS22 Hub Spanner (17 mm x 24 mm)
29	Y23098030	TL-HS37 Hub Spanner 17 mm
30	Y23098040	TL- HS38 Hub Spanner 18 mm
31	Y27Y02000	Fixing Nut (M12)

Nov.-2019-4529

© Shimano Inc. ITP

Specifications are subject to change without notice.

SHIMANO