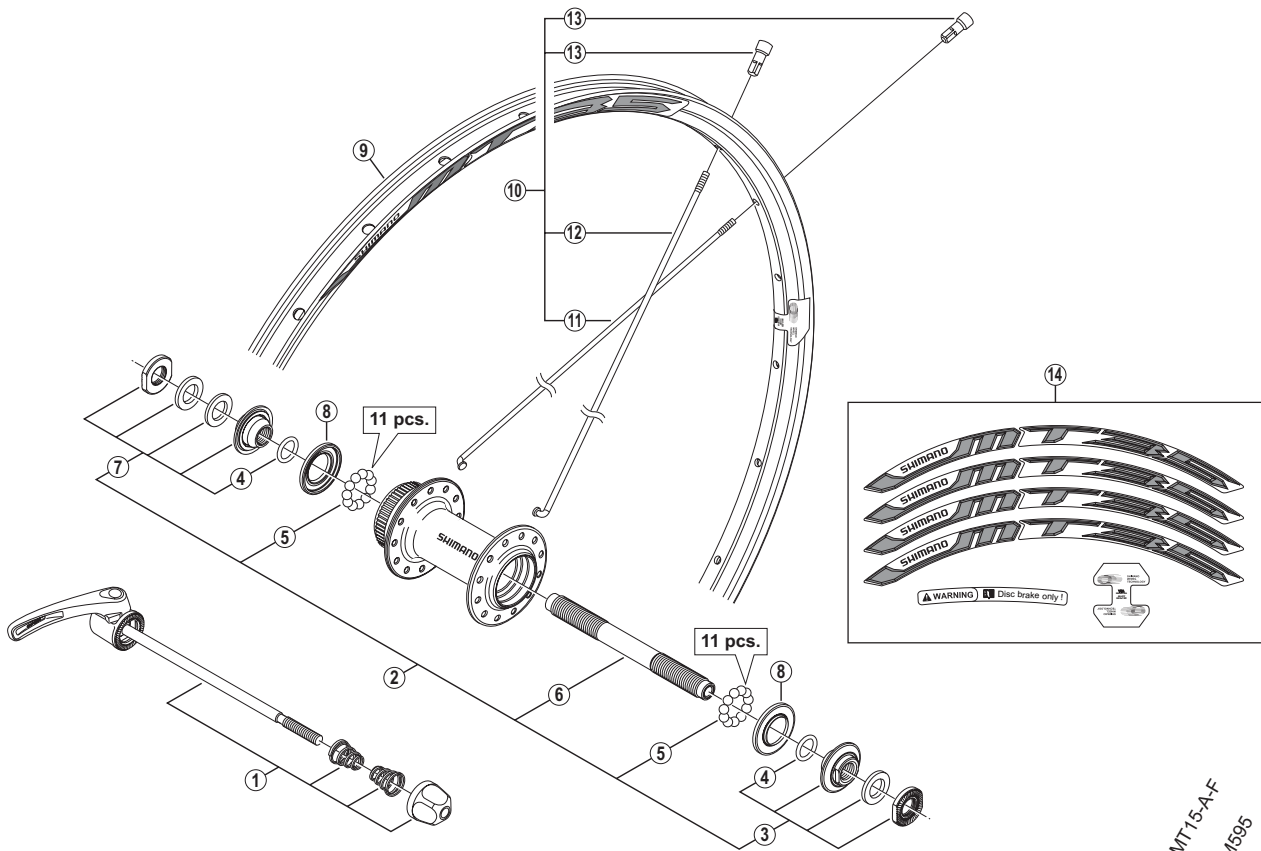


Front Wheel WH-MT35-F-29 Black / White



• Over Lock Nut Dimension: 100 mm (3-15/16")

ITEM NO.	SHIMANO CODE NO.	DESCRIPTION	INTERCHANGEABILITY
1	Y4D298060	Complete Quick Release 133 mm (5-1/4")	B B B
2	Y2TS98010	Complete Hub Axle 108 mm (4-1/4")	A
3	Y2TS98020	Right Hand Lock Nut Unit	A A
4	Y2T804000	O-Ring	A A
5	Y4BB98030	Steel Ball (3/16") 22 pcs.	A A
6	Y21S02000	Hub Axle M10 x 108 mm (4-1/4")	A A
7	Y2TS98030	Left Hand Lock Nut Unit	A
8	Y2TA06000	Seal Ring	A A
9	EWHRIM3SFDDBC	Black Rim {24H / Rim Sticker: Standard}	B
	EWHRIM3SFDWDC	White Rim {24H / Rim Sticker: Standard}	B
10	EWHSPOKE3RA1	Spoke Unit {Spoke (295.5 mm x 12 pcs. & 296.5 mm x 12 pcs.) / Nipple (24 pcs.)}	
11	Y428S1000	Left Hand Spoke (295.5 mm)	
12	Y428S2000	Right Hand Spoke (296.5 mm)	
13	Y012Z4075	Nipple	A
14	Y42898010	Rim Sticker Unit (Standard) for Black Rim	
	Y42898020	Rim Sticker Unit (Monotone) for Black Rim	
	Y42898030	Rim Sticker Unit (Blue) for Black Rim	
	Y42898040	Rim Sticker Unit (Orange) for Black Rim	
	Y42898050	Rim Sticker Unit (Red) for Black Rim	
	Y42898060	Rim Sticker Unit (Grey) for Black Rim	
	Y42898070	Rim Sticker Unit (Standard) for White Rim	
	Y42898080	Rim Sticker Unit (Monotone) for White Rim	
	Y42898090	Rim Sticker Unit (Blue) for White Rim	
	Y42898100	Rim Sticker Unit (Orange) for White Rim	
Y42898110	Rim Sticker Unit (Red) for White Rim		
Y42898120	Rim Sticker Unit (Grey) for White Rim		

WH-MT15-A-F
HB-M595
WH-MT55-F-29

A: Same parts.
B: Parts are usable, but differ in materials, appearance, finish, size, etc.
Absence of mark indicates non-interchangeability.

Aug.-2013-3571
© Shimano Inc. I

Specifications are subject to change without notice.

SHIMANO