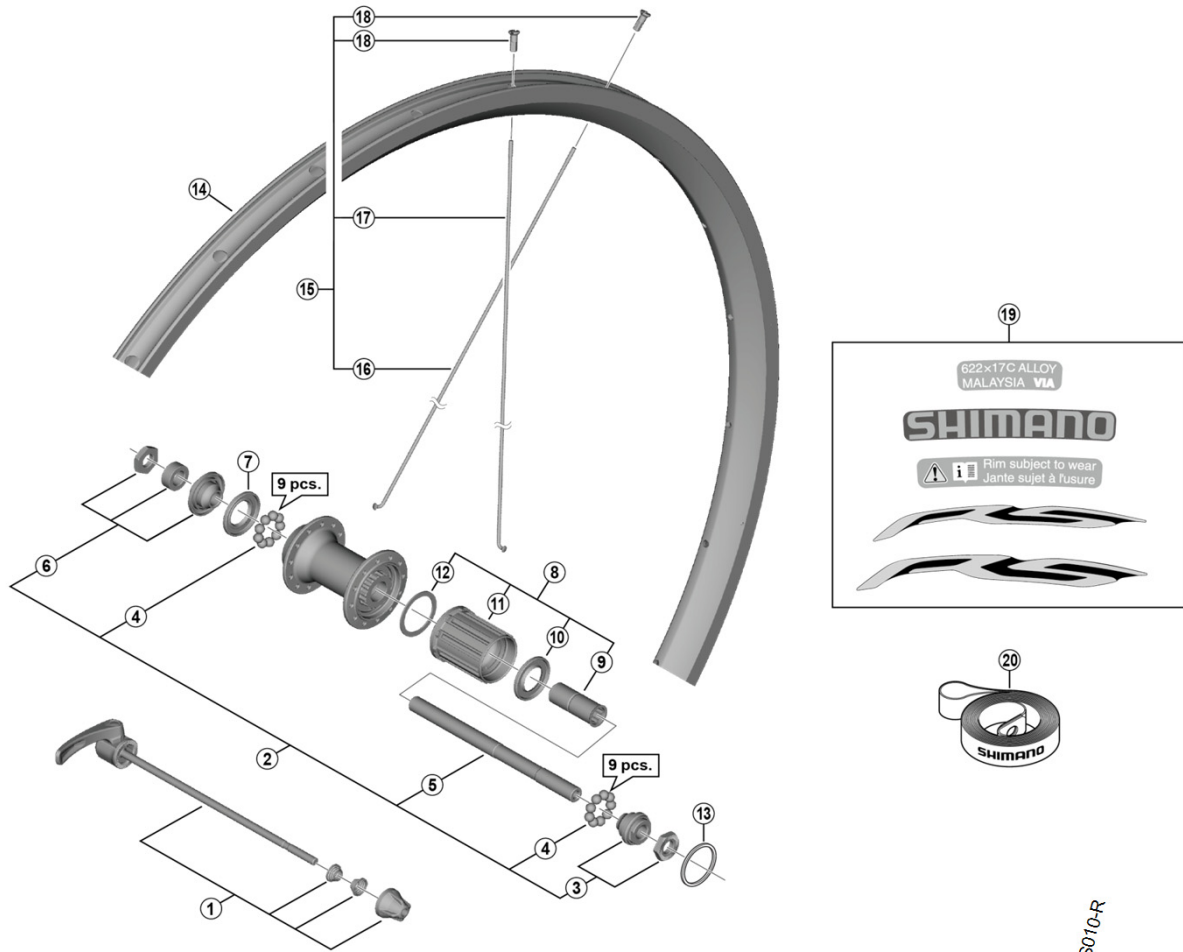


Rear Wheel (10/11-speed) WH-RS100-CL-R



• Over Lock Nut Dimension: 130 mm (5-1/8")

ITEM NO.	SHIMANO CODE NO.	DESCRIPTION	INTERCHANGE-ABILITY
1	Y0F198010	Complete Quick Release 163 mm (6-13/32")	
	Y0F198020	Complete Quick Release 168 mm (6-5/8")	
2	Y0F198030	Complete Hub Axle 141 mm (5-9/16")	B
3	Y48U98020	Right Hand Lock Nut Unit	A
4	Y00091310	Steel Ball (1/4") 18 pcs.	A
5	Y30K01100	Hub Axle M10 x 141 mm (5-9/16")	A
6	Y4SK98060	Left Hand Lock Nut Unit	A
7	Y3CR09000	Left Hand Seal Ring	A
8	Y48U98040	Complete Freewheel Body	A
9	Y3BL03000	Body Fixing Bolt	A
10	Y3CR08000	Right Hand Seal Ring	A
11	Y48U98050	Freewheel Body Unit	A
12	Y3TD06000	Freewheel Body Washer	A
13	Y4T724000	Low Spacer (1.85 mm)	A
14	-	Rim {24H / Black}	
15	EWHSPOKE272D	Spoke Unit {Spoke (286 mm x 12 pcs. & 288 mm x 12 pcs.) / Nipple (24 pcs.)}	A
16	Y48VS1000	Left Hand Spoke (288 mm)	A
17	Y0123Z865	Right Hand Spoke (286 mm)	A
18	Y012Y4341	Nipple	A
19	Y0F198040	Rim Sticker Unit (Standard) for Black Rim	
	Y0F198050	Rim Sticker Unit (Red) for Black Rim	
	Y0F198060	Rim Sticker Unit (Blue) for Black Rim	
	Y0F198070	Rim Sticker Unit (Orange) for Black Rim	
	Y0F198080	Rim Sticker Unit (Green) for Black Rim	
	Y0F198090	Rim Sticker Unit (Sky Blue) for Black Rim	
20	Y0F198100	Rim Sticker Unit (Hi-tech Gray) for Black Rim	
20	EWHRIMTAPERA	Rim Tape	A

A: Same parts.

B: Parts are usable, but differ in materials, appearance, finish, size, etc.

Absence of mark indicates non-interchangeability.

Specifications are subject to change without notice.

Jul.-2018-4368

© Shimano Inc. ITP

SHIMANO