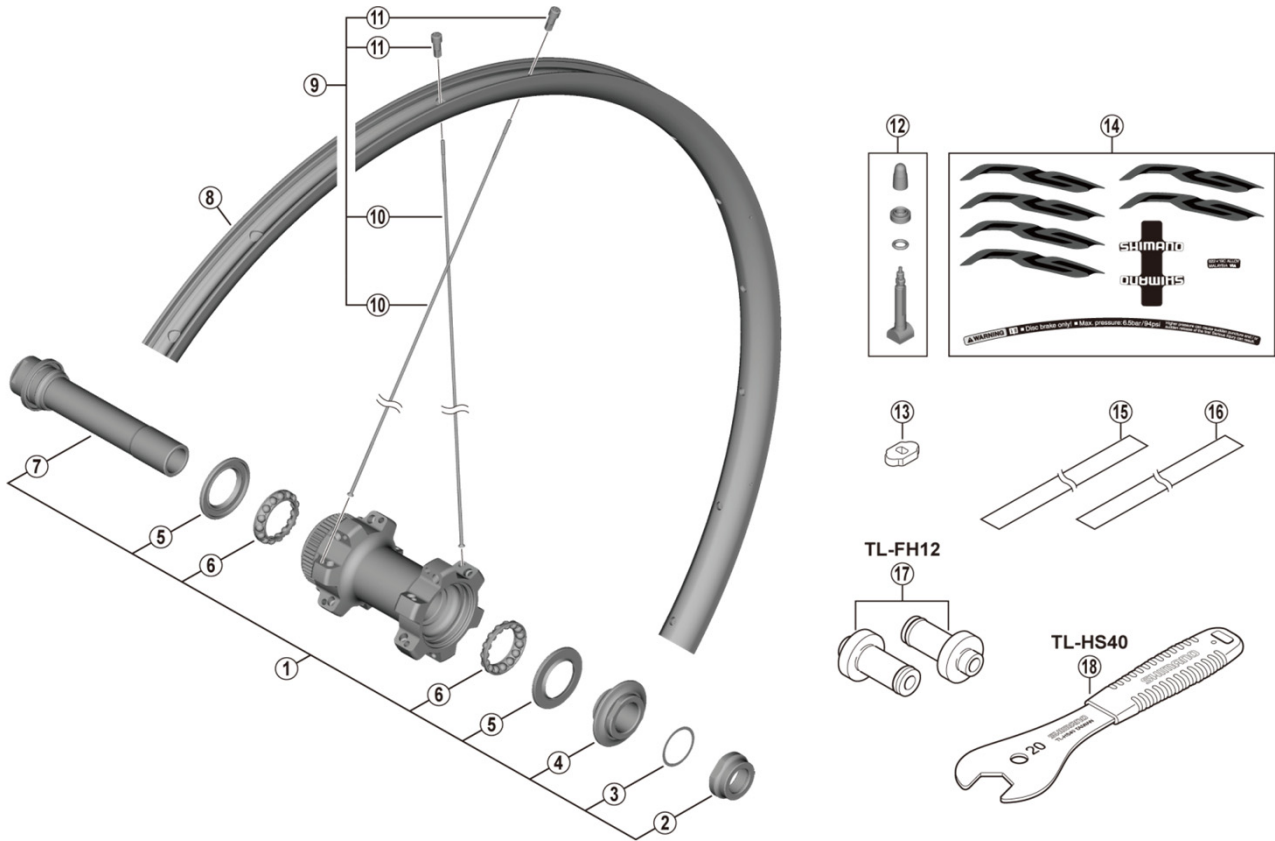


Front Wheel WH-RS370-TL-F12



• Over Lock Nut Dimension: 100 mm (3-15/16")

ITEM NO.	SHIMANO CODE NO.	DESCRIPTION	INTERCHANGEABILITY		
			WH-RX31-F12	WH-U5000-F12	WH-M8020-TL-R12-B-29
1	Y07B98010	Complete Hub Axle	A	A	
2	Y07B06000	Right Hand Lock Nut	A	A	
3	Y38Z26000	Adjusting Washer	A	A	
4	Y07B98020	Right Hand Cone w/Dust Cap	A	A	
5	Y26D10000	Seal Ring	A	A	
6	Y07B98030	Ball Retainer (5/32" x 15)	A	A	
7	Y07B98040	Hub Axle Unit	A	A	
8	-	Rim {24H}			
9	EWHSPOKEY273D	Spoke Unit {Spoke (300 mm x 24 pcs) / Nipple (24 pcs.)}			
10	Y0FHS1000	Spoke (300 mm)			
11	Y012Z4075	Nipple	A		
12	Y4RJ98020	Valve Unit			A
13	Y4RJ10000	Valve Tool			
14	Y0FH98030	Rim Sticker Unit			
15	Y47V00010	Tubeless Tape			
16	Y0FG07000	Polyimide Tape			
17	Y13098011	TL-FH12 Hub Setting Tool for 12 mm Thru-axle	A	A	
18	Y13098320	TL-HS40 Cone Adjusting Spanner 20 mm	A	A	

A: Same parts.

B: Parts are usable, but differ in materials, appearance, finish, size, etc.

Absence of mark indicates non-interchangeability.

Specifications are subject to change without notice.

Apr.-2019-4426

© Shimano Inc. ITP

SHIMANO