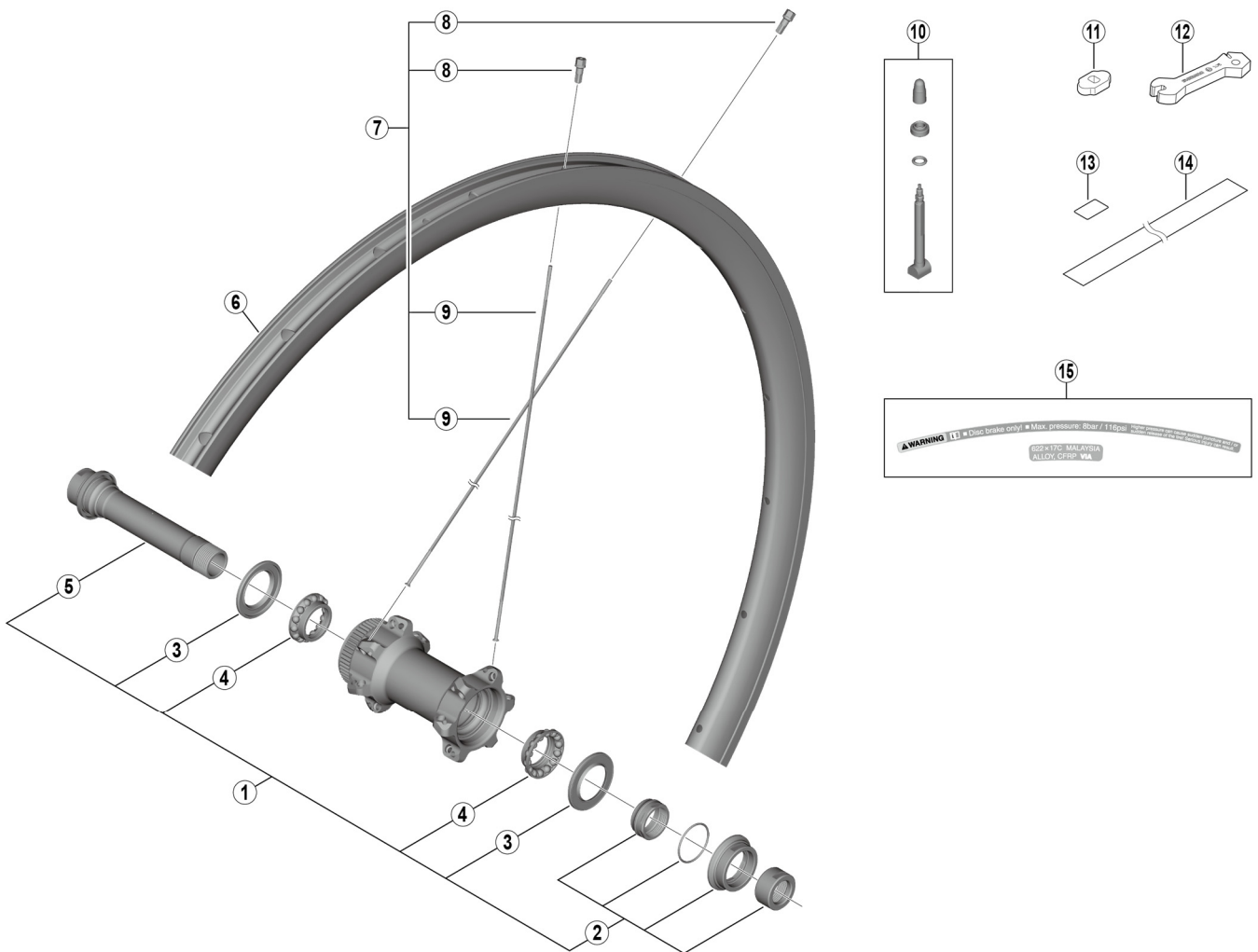


Front Wheel WH-RS770-C30-TL-F12



• Over Lock Nut Dimension: 100 mm (3-15/16")

ITEM NO.	SHIMANO CODE NO.	DESCRIPTION	INTERCHANGEABILITY	
			A	B
1	Y2BW98010	Complete Hub Axle	A	
2	Y2BW98020	Right Hand Lock Nut Unit	A	
3	Y26D10000	Seal Ring	A	
4	Y0AY98030	Ball Retainer (5/32")	A	
5	Y2BW98030	Hub Axle Unit	A	
6	EWHRIMZ2F5P	Rim {24H}		
* 7	EWHSPOKEY2739	Spoke Unit {Spoke (289.5 mm x 24 pcs.) / Nipple (24 pcs.)}		
8	Y4SYN1000	Nipple		
9	Y0D4S1000	Spoke (289.5 mm)		
10	Y0D498010	Valve Unit		
11	Y4RJ10000	Valve Tool		
12	Y4SY11000	Nipple Wrench 3.75		
13	Y0AN98020	SUS Tape (24 pcs.)		
14	Y0AN70000	Tubeless Tape		
15	Y0D498020	Rim Sticker Unit		

A: Same parts.

B: Parts are usable, but differ in materials, appearance, finish, size, etc.

Absence of mark indicates non-interchangeability.

Specifications are subject to change without notice.

HB-RS770

Jan.-2019-4238B

© Shimano Inc. I

SHIMANO