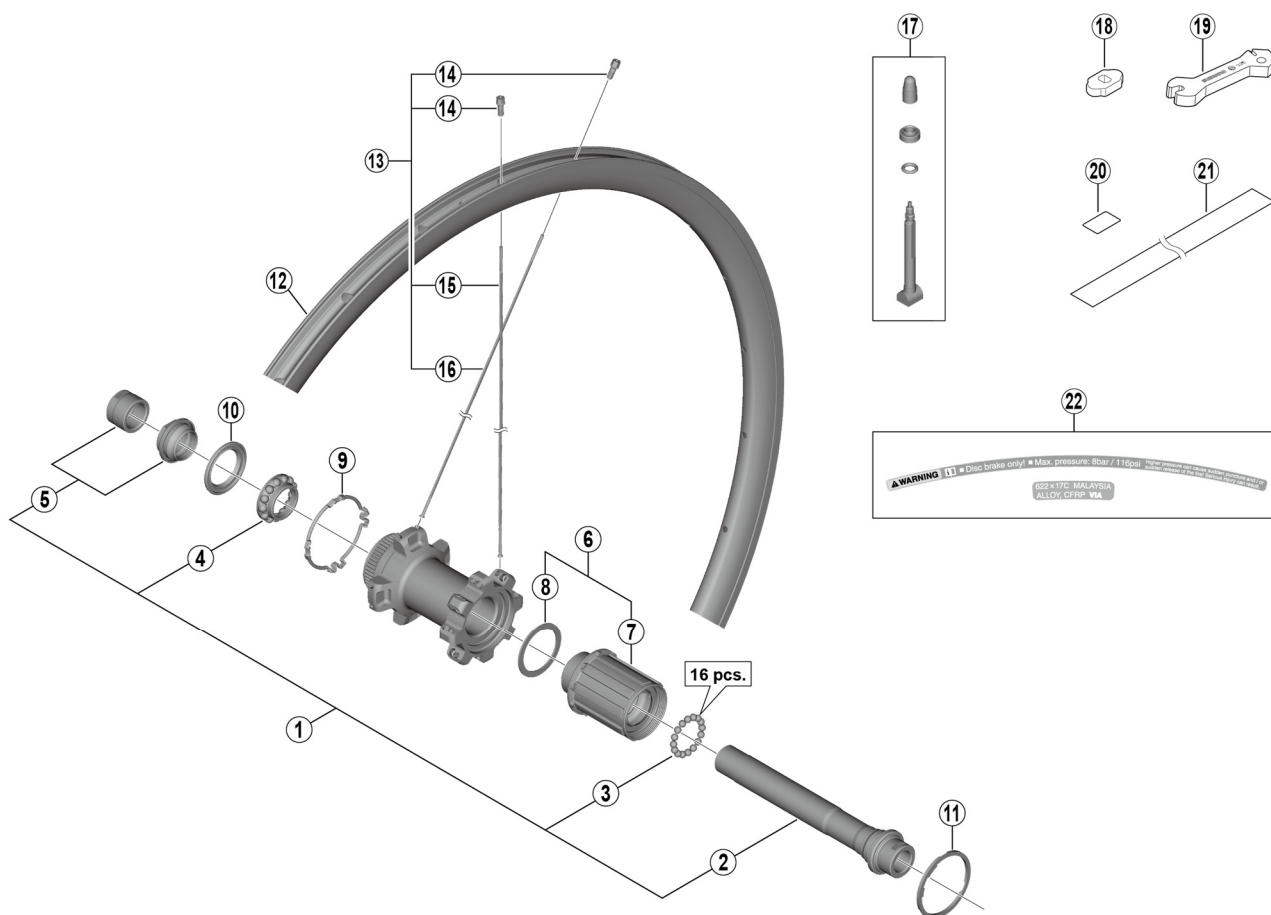


Rear Wheel WH-RS770-C30-TL-R12



• Over Lock Nut Dimension: 142 mm (5-19/32")

ITEM NO.	SHIMANO CODE NO.	DESCRIPTION	INTERCHANGEABILITY		
1	Y3EX98010	Complete Hub Axle	A		
2	Y0AZ98020	Hub Axle Unit	A		
3	Y4BR98130	Steel Ball (5/32") 34 pcs.	A		
4	Y0AZ98030	Ball Retainer (3/16")	A		
5	Y3EX98020	Left Hand Lock Nut & Cone w/Dust Cover	A		
6	Y3EX98030	Complete Freewheel Body	A		
7	Y3EX98040	Freewheel Body Unit	A		
8	Y3CZ12000	Freewheel Body Washer	A		
9	Y0AZ09000	Left Hand Spoke Cover			
10	Y27X14000	Left Hand Seal Ring	A		
11	Y4T724000	Low Spacer (1.85 mm)			
12	EWHRIMZ2F5R	Rim {24H}			
* 13	EWHSPOKEY273A	Spoke Unit {Spoke (289.5 mm x 16 pcs. / 270 mm x 8 pcs.) / Nipple (24 pcs.)}			
14	Y4SYN1000	Nipple			
15	Y0D4S1000	Right Hand Spoke (289.5 mm)			
16	Y0D5S1000	Left Hand Spoke (270 mm)			
17	Y0D498010	Valve Unit			
18	Y4RJ10000	Valve Tool			
19	Y4SY11000	Nipple Wrench 3.75			
20	Y0AN98020	SUS Tape (24 pcs.)			
21	Y0AN70000	Tubeless Tape			
22	Y0D498020	Rim Sticker Unit			

A: Same parts.

B: Parts are usable, but differ in materials, appearance, finish, size, etc.

Absence of mark indicates non-interchangeability.

Specifications are subject to change without notice.

FH-RS770

Jan.-2019-4239B

© Shimano Inc. I

SHIMANO