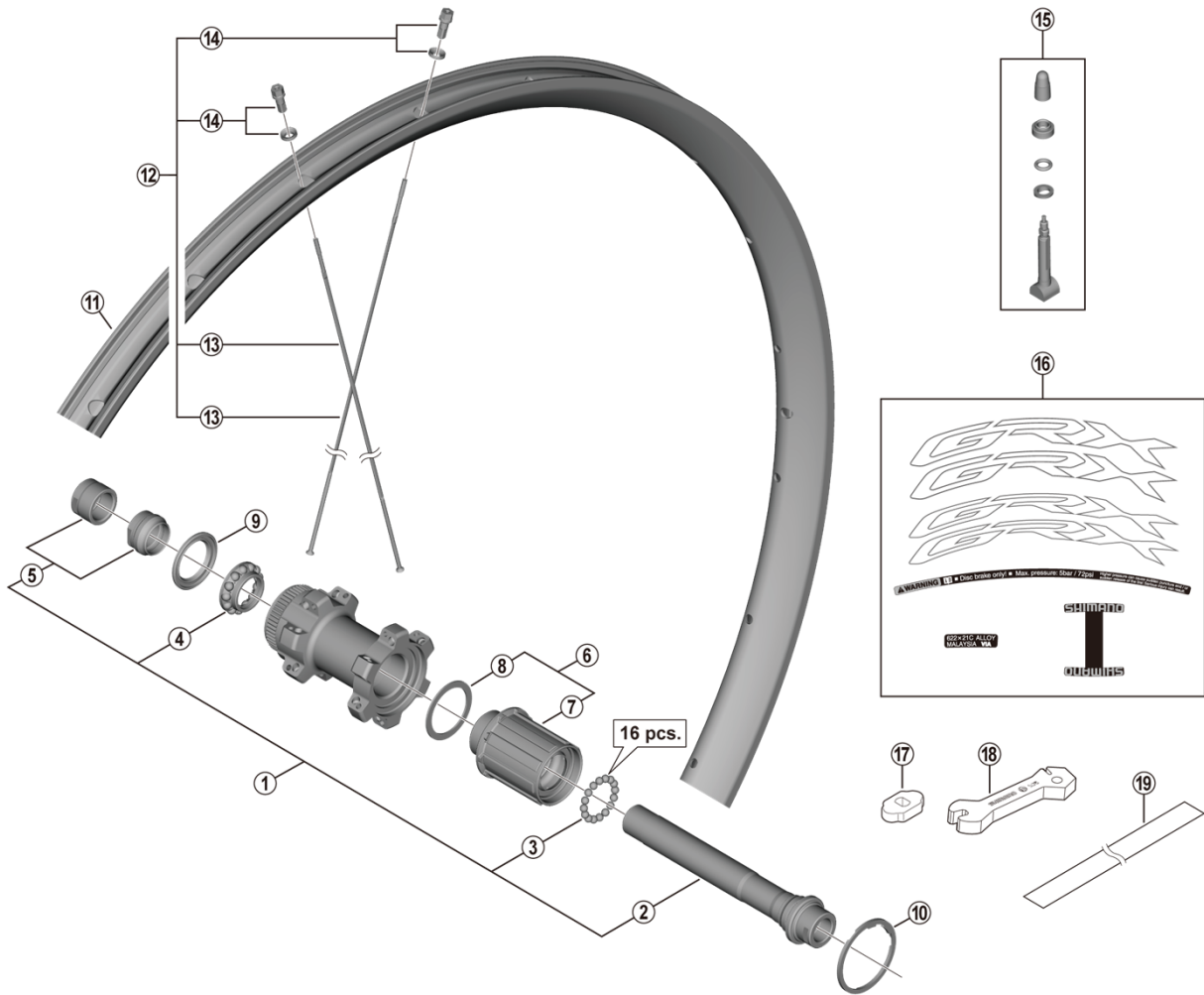


GRX Rear Wheel (Road 10/11-speed)

# WH-RX570-TL-R12-700C For Disc Brake



• Over Lock Nut Dimension: 142 mm (5-19/32")

WH-RS770-TL-R12

ITEM NO.	SHIMANO CODE NO.	DESCRIPTION	INTERCHANGEABILITY	
1	Y0H298010	Complete Hub Axle	B	
2	Y0H298020	Hub Axle	B	
3	Y28F98020	Steel Ball (5/32")	A	
4	Y0AZ98030	Ball Retainer (3/16")	A	
5	Y0H298030	Left Hand Lock Nut & Cone w/Dust Cover	B	
6	Y3EX98030	Complete Freewheel Body		
7	Y3EX98040	Freewheel Body Unit		
8	Y3CZ12000	SPACER FOR INNER		
9	Y27X14000	L/H SEALRING		
10	Y4T724000	Low Spacer		
* 11	EWHRIMZ2F5S	Rim {24H}		
* 12	EWHSPOKEY273J	Spoke Unit {Spoke (298 mm x 24 pcs.) / Nipple (24 pcs.) / Rim Washer (24 pcs.)}		
* 13	Y0H1S1000	Spoke (298 mm)		
14	Y0H198040	Nipple & Rim Washer		
15	Y0D298060	Valve Unit		
16	Y0H198050	Rim Sticker Unit		
17	Y4RJ10000	VALVE TOOL		
18	Y4SY11000	NIPPLE WRENCH 3.75	A	
19	Y0H105810	TUBELESS TAPE(POLYIMIDE)		

A: Same parts.

B: Parts are usable, but differ in materials, appearance, finish, size, etc.

Absence of mark indicates non-interchangeability.

Specifications are subject to change without notice.

Jan.-2020-4573A

© Shimano Inc. ITP

# SHIMANO