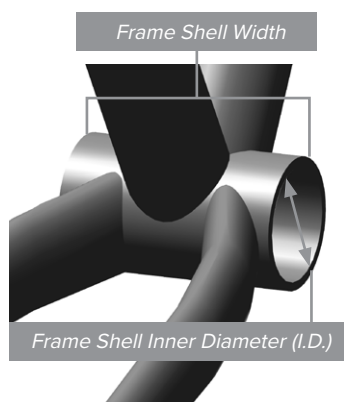


# DUB™: Choose a Road Bottom Bracket



Follow the chart to determine which bottom bracket works with your frame.



Is the frame shell threaded?

No

Yes

Frame Shell Width (mm)	Frame Shell I.D. (mm)	Crankset	Bottom Bracket Name	Part Number
68	42	Road	DUB BB30 68 Road	00.6418.017.000
		Road-Wide	DUB BB30 68 Road-Wide	00.6418.017.003
	46	Road	DUB PF30 68 Road	00.6418.018.000
		Road-Wide	DUB PF30 68 Road-Wide	00.6418.018.001
73	42	Road	■ DUB BB30 73-A Road	00.6418.027.000
		Road-Wide	DUB BB30 73 Road-Wide	00.6418.017.000
			■ DUB BB30 73-A Road-Wide	00.6418.017.002
	46	Road	■ DUB PF30 73-A Road	00.6418.028.001
		Road-Wide	DUB PF30 73 Road-Wide	00.6418.018.000
			■ DUB PF30 73-A Road-Wide	00.6418.018.004
79	46	Road	● DUB PF30 79-A Road	00.6418.028.000
		Road-Wide	● DUB PF30 79-A Road-Wide	00.6418.018.003
83	42	Road-Ai	■ DUB BB30 83-A Road Ai	00.6418.027.001
	46	Road-Ai	■ DUB PF30 83-A Road Ai	00.6418.028.002
86.5	41	Road	DUB PF 86.5 Road	00.6418.025.000
		Road-Wide	DUB PF 86.5 Road-Wide	00.6418.016.004
	46	Road	DUB BB386 86.5 Road	00.6418.026.000
		Road-Wide	DUB BB386 86.5 Road-Wide	00.6418.018.005
90.5	37		* ► GXP® crank with BB90	
68	English Threaded	Road	DUB BSA 68 Road	00.6418.015.000
		Road-Wide	DUB BSA 68 Road-Wide	00.6418.015.004
	T47	Road	DUB T47 68 Road	00.6418.033.002
		Road-Wide	DUB T47 68 Road-Wide	00.6418.033.002
70	Italian Threaded	Road	DUB Italian 70 Road	00.6418.038.000
		Road-Wide	DUB Italian 70 Road-Wide	00.6418.038.000
73	English	Road-Wide	DUB BSA 73 Road-Wide	00.6418.015.000
77	T47	Road	DUB T47 77-A Road	00.6418.033.003
		Road-Wide	DUB T47 77-A Road-Wide	00.6418.033.003
85.5	T47	Road	DUB T47 85.5 Road	00.6418.033.000
		Road-Wide	DUB T47 85.5 Road-Wide	00.6418.033.001

\* No DUB option available for this BB.

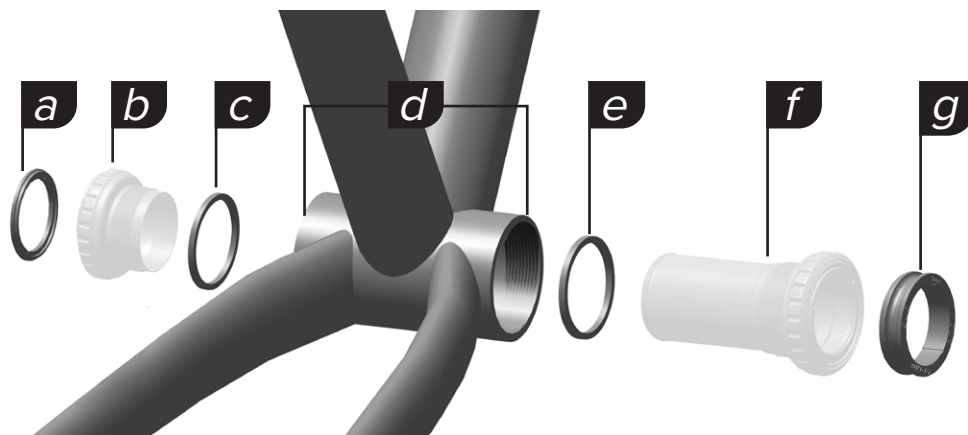
Please use the option shown.

■ Cannondale® only

● Cervelo®; BBRright™

► Trek® only. Contact Trek for BB.

# DUB™ Road Crankset Bottom Bracket Spacers



- a. Outer left, non-drive side spacer
- b. Left side cup
- c. Inner left, non-drive side spacer
- d. Frame shell width
- e. Inner right, drive side spacer
- f. Right side cup and center tube
- g. Outer right, drive side spacer

Frame Shell Interface and Width (mm)		Crankset	Outer Left Spacer (mm)	Inner Left Spacer (mm)	Inner Right Spacer (mm)	Outer Right Spacer (mm)
BSA	68	Road	-	-	-	3
		Road - Wide	2.5	-	-	5.5
	73	Road - Wide	-	-	-	3
Italian	70	Road	-	-	-	2
		Road - Wide	2.5	-	-	4.5
T47	68	Road	-	-	-	3
		Road - Wide	2.5	-	-	5.5
	77 - A	Road	-	-	-	3
		Road - Wide	2.5	-	-	5.5
	85.5	Road	-	-	-	3
		Road - Wide	2.5	-	-	5.5
PressFit	86.5	Road	-	-	-	3
		Road - Wide	2.5	-	-	5.5
PressFit 30	68	Road	-	-	-	3
		Road - Wide	2.5	-	-	5.5
	73	Road - Wide	-	-	-	3
		Road	-	-	-	3
	73 - A	Road - Wide	2.5	-	-	5.5
		Road	-	-	-	3
	79 - A	Road - Wide	2.5	-	-	5.5
		Road	-	-	-	3
83 - A	Road - Ai	6	-	-	9	
BB386	86.5	Road	-	-	-	2
		Road - Wide	2.5	-	-	4.5
BB30	68	Road	-	-	-	3
		Road - Wide	2.5	-	-	5.5
	73	Road - Wide	-	-	-	3
		Road	-	-	-	3
	73 - A	Road - Wide	2.5	-	-	5.5
		Road	-	-	-	3
83 - A	Road - Ai	-	-	-	4.5	